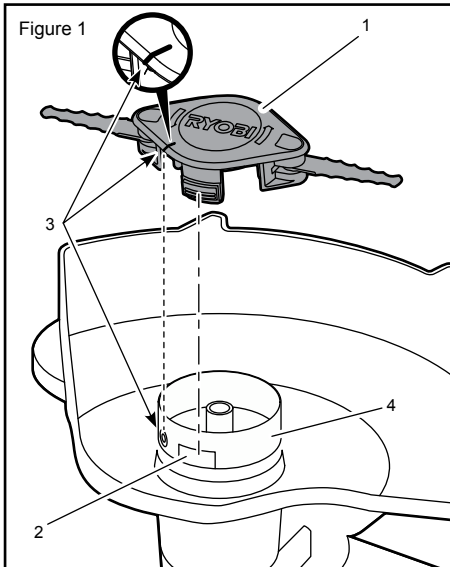


# RYOBI®

## BLADED TRIMMER HEAD ACCESSORY RAC1103



### ⚠ WARNING

To reduce the risk of injury, user must read and understand the operator's manual for their string trimmer and this instruction sheet. Always wear eye protection with side shields marked to comply with ANSI Z87.1. Ensure compatibility and fit before using this accessory. Do not use this accessory if a part is damaged or missing.

### ⚠ WARNING

This bladed trimmer head accessory has been designed and tested for use only with Ryobi brand 18V and 36V battery-powered string trimmers. Use of this accessory on any other string trimmer or device could result in serious personal injury.

The bladed trimmer head accessory is suited for cutting thicker weeds or pulpy stalks only. Do not use for any other purpose. Never use this accessory to cut woody brush.

Do not attempt to use the bladed trimmer head accessory for edging. This will cause premature wear on the blades.

### SPECIFIC SAFETY RULES

- Keep all bystanders, children, and pets at least 15m or 50 feet away.

- Do not operate the trimmer with the bladed trimmer head accessory unless the guard is firmly secured in place and in good condition.
- Wear heavy, long pants, long sleeves, boots, and gloves. Do not wear loose fitting clothing, short pants, sandals, or go barefoot. Do not wear jewelry of any kind.
- Save these instructions. Refer to them frequently and use them to instruct others who may use this product. If you loan someone this product, loan them these instructions also to prevent misuse of the product and possible injury.

### DESCRIPTION

1. Bladed trimmer head accessory
2. Slot
3. Align line in accessory with string head eyelet
4. String head

### INSTALLING BLADED TRIMMER HEAD ACCESSORY

See Figure 1.

- Remove the battery pack if installed.
- Following the instructions in the operator's manual for your string trimmer, remove the spool retainer and spool.
- Install the bladed trimmer head accessory so the line on the accessory aligns with the eyelet on the string head. Make sure the latches click into place

and accessory is secured to the string head. When installed correctly, the bladed trimmer head will be up against the string head with no gaps.

**⚠ WARNING**

Make sure the bladed trimmer head is installed as described in these instructions and that the latches are completely seated inside the slots on the string head. A bladed trimmer head that is not properly attached to the string head could detach and cause serious personal injury.

**USING BLADED TRIMMER HEAD ACCESSORY**

See Figure 2.

**⚠ WARNING**

Always hold the string trimmer away from the body keeping at least two feet of clearance between any body part and the bladed trimmer accessory head. Any contact with the bladed trimmer accessory head while operating the trimmer can result in serious personal injury.

**⚠ WARNING**

To avoid damaging blades or accessory, allow at least 0.3m or 1 foot of clearance between the blades and any nearby objects. Never use blades near sidewalks, fencing, posts, siding, buildings, or other immovable objects. Damaged blades or accessories can cause serious personal injury.

- Inspect blades before each use and periodically during long periods of use. If either blade is bent, warped, cracked, chipped, or damaged, or if either blade has become separated from the housing, discontinue use immediately and discard.
- Inspect and clear the area of any hidden objects such as glass, rocks, concrete, fencing, wire, wood, metal, etc., which can be thrown or entangled in the blades.
- Maintain a firm grip on trimmer handles while cutting with bladed trimmer head accessory. Keep the blades away from body and below waist level. Never use the accessory with the blades located 0.75m or 30 in. or more above the ground level.
- Never cut any material over 0.3m or 1/2 in. diameter.
- After releasing the switch trigger, keep rotating blades in thicker weeds or pulpy stalks until they stop. Maintain proper control until the blades have completely stopped rotating.
- Do not attempt to touch or stop moving blades. Coasting blades can cause injury.

**NOTICE**

Never use bladed trimmer accessory to cut against fences, siding, houses, buildings, or similar surfaces. Keep the blades at least 1 foot away. The blades may damage these surfaces.

**GENERAL MAINTENANCE**

Avoid using solvents when cleaning plastic parts. Most plastics are susceptible to damage from various types of commercial solvents and may be damaged by their use. Remove battery pack and use clean cloths and warm, soapy water, to remove dirt, dust, oil, grease, etc.

**⚠ WARNING**

Do not at any time let brake fluids, gasoline, petroleum-based products, penetrating oils, etc., come in contact with plastic parts. Chemicals can damage, weaken, or destroy plastic, which may result in serious personal injury.

The bladed trimmer head accessory has no user serviceable parts. Do not attempt to sharpen or replace blades. If either blade has become bent, warped, cracked, chipped, damaged, or has become separated from the housing, or if you notice any abnormal vibration of the trimmer during use of the bladed trimmer head accessory, discontinue use immediately and discard the accessory.

**SYMBOL**



Safety alert



Please read the instructions carefully before starting the machine.

**Techtronic Industries (Australia) Pty. Ltd.**  
Level 1, 660 Doncaster Road  
Doncaster, VIC 3108, Australia

**Techtronic Industries New Zealand Ltd.**  
18-26 Amelia Earhart Avenue  
Mangere, Auckland 2022, New Zealand