

**RYOBI**<sup>®</sup>

**RED1220**

ORIGINAL INSTRUCTIONS

# Electric Edger



## **Important!**

It is essential that you read the instructions in this manual before assembling, operating and maintaining the product.

Subject to technical modification.

Safety, performance, and dependability have been given top priority in the design of your electric edger.

### INTENDED USE

The electric edger is intended to be used only by adults who have read and understood the instructions and warnings in this manual and can be considered responsible for their actions. The product is only intended for use outdoors in a well-ventilated area.

The product is intended for edging along sidewalks, walkways, driveway, flower beds, curbs, and other similar areas.

The product is not allowed to be used for cutting or chopping hedges, shrubs, bushes, flowers, and compost.

Do not use the product for any other purpose.

### GENERAL SAFETY WARNINGS

#### ⚠ WARNING

When using the product, the safety rules must be followed. For your own safety and that of bystanders, please read these instructions before operating the product. Please keep the instruction safe for later use.

#### ⚠ WARNING

The product is not intended to be used by children or persons with reduced physical, mental, or sensory capabilities. Children should be adequately supervised to ensure they do not play with the product.

### TRAINING

- Read the instructions carefully. Be familiar with all controls and the proper use of the product.
- Never allow children or people unfamiliar with these instructions to use the product. Local regulations may restrict the age of the operator.
- Keep in mind that the operator or user is responsible for accidents or hazards

occurring to other people or their property.

- Keep bystanders, children, and pets 15 m away from the area of operation. Stop the product if anyone enters the area.
- Never use the product when you are tired, ill, or under the influence of alcohol, drugs or medicine.

### ELECTRICAL SAFETY

- Power plugs must match the outlet. Never modify the plug in any way. Do not use any adapter plugs with earthed (grounded) power tools. Unmodified plugs and matching outlets will reduce risk of electric shock.
- Prevent unintentional starting. Always check that the switch is in off position before plugging in the product to the power supply. Do not carry a plugged in product with your finger on the switch.
- Avoid body contact with earthed or grounded surfaces, such as pipes, radiators, ranges and refrigerators. There is an increased risk of electric shock if your body is earthed or grounded.
- Do not operate the product when there is a risk of lightning.
- Do not expose the product to rain or wet conditions. Water entering an appliance will increase the risk of electric shock.
- Electrical power should be supplied via a residual current device (RCD) with a tripping current of not more than 30 mA.
- Before every use, examine the power cord for damage. If there are signs of damage, it must be replaced. Always uncoil the power cord during use; coiled cables can overheat.
- If you need to use an extension cable, ensure it is suitable for outdoor use and has a current capacity sufficient to supply your product. Always uncoil it during use because coiled cables can overheat. Damaged extension cables should not be repaired; they should be replaced with an equivalent type.
- Do not use the product if the electric cables

are damaged or worn.

- If the power cord or extension cable becomes damaged during use, disconnect from the power supply immediately. Do not touch the electric cables until the power supply has been disconnected.
- Make sure the power cord is positioned so that it cannot be damaged by the cutting means and will not be stepped on, tripped over, or otherwise subjected to damage or stress.
- Never pull the power cord to disconnect from the power supply.
- Never pick up or carry the product by the electric cable.
- Keep the power cord away from heat, oil, and sharp edges.
- Make sure voltage is correct for your product. A nameplate on the product indicates the product's voltage. Never connect the product to an AC voltage that differs from this voltage.
- Make sure the switch is in off position before disconnecting from power supply.

## PREPARATION

- Wear full eye and hearing protection while using the product. If working in an area where there is a risk of falling objects, head protection must be worn.
- Hearing protection may restrict the operator's ability to hear warning sounds. Pay particular attention to potential hazards around and inside the working area.
- Wear heavy, long trousers, boots, and gloves. Do not wear loose fitting clothing, short trousers, jewellery of any kind, or use with bare feet.
- Secure long hair so it is above shoulder level to prevent entanglement in moving parts.
- Before use and after any impact, check that there are no damaged parts. A defective switch or any part that is damaged or worn should be properly repaired or replaced by an authorised service centre.
- Before using, always visually inspect that

the blade, blade bolts, and cutter assembly are not worn or damaged. Replace worn or damaged blade and bolts in sets to preserve balance.

- Make sure the cutting attachment is properly installed and securely fastened.
- Never operate the product unless all guards, deflectors, and handles are properly and securely attached.
- Consider the environment in which you are working. Keep the working area free from wires, sticks, stones, and debris, which if struck by the cutter, can become thrown objects.

## EDGER SAFETY WARNINGS

- Never allow children or people unfamiliar with the instructions to use the product.
- Use the product in daylight or good artificial light.
- Avoid using on wet grass.
- Keep firm footing and balance. Do not overreach. Overreaching can result in loss of balance. Always be sure of your footing on slopes. Walk, never run.
- Use extreme caution when reversing or pulling the edger toward you.
- Beware, the cutting elements continue to rotate after the engine/motor is switched off. Maintain proper control until the blade has completely stopped rotating.
- Make sure the blade has stopped before crossing surfaces other than grass and when transporting the edger to and from the area to be edged.
- Start the product carefully according to instructions and with feet well away from the blade. Never stand or have any part of your body in line with the path of the edger blade.
- Do not adjust the powerhead governor settings or over-speed the engine/motor.
- The guard on this edger is designed to throw debris forward and away from the operator while in use. Remember that the blade below the guard is not guarded when the product is tilted or lifted away from

the ground. This is particularly important during starting the product. Never start the product if anyone is in front of the blade.

- Do not operate the product when there is a risk of lightning.
- Do not expose the product to rain or wet conditions. Water entering an appliance will increase the risk of electric shock.
- Keep bystanders, children, and pets 15 m away from the area of operation. Stop the product if anyone enters the area.
- Never operate the product with damaged guards or without guards in place.
- Beware of objects thrown by the cutting means. Clear debris like small stones, gravel and other foreign objects from the work area before starting operation. Wires or string may become entangled with the cutting means.
- To reduce the risk of injury associated with moving parts, always stop the product, and disconnect from the power supply (if applicable). Make sure all moving parts have come to a complete stop:
  - before servicing
  - before leaving the product unattended
  - before clearing a blockage
  - before checking, cleaning, and working on the product
  - before working on the blade
  - before checking for any damage if the product starts to vibrate abnormally
  - whenever performing maintenance
  - whenever the product starts to vibrate abnormally
- Always ensure that ventilation openings are kept clear of debris.
- Make sure the cutting head attachment is properly installed and securely fastened.
- Make sure all guards, deflectors, and handles are properly and securely attached.
- Do not modify the product in any way, this may increase the risk of injury to yourself or others.
- Use only the manufacturer's replacement cutting line. Do not use any other cutting

attachment.

#### WARNING

Inspection after dropping or other impacts: Thoroughly inspect the product and identify any problems or damage to it. Any part that is damaged should be properly repaired or replaced by authorized service centre.

### TRANSPORTATION AND STORAGE

- Stop the product and allow it to cool down before storing or transporting. Always disconnect from the power supply and wind the cable to prevent damage.
- Clean all foreign materials from the product. Store it in a cool, dry and well-ventilated place that is inaccessible to children. Keep away from corrosive agents, such as garden chemicals and de-icing salts. Do not store outdoors.
- For transportation in vehicles, secure the product against movement or falling to prevent injury to persons or damage to the product.

### MAINTENANCE

#### WARNING

Use only original manufacturer's replacement parts, accessories, and attachments. Failure to do so can cause possible injury, contribute to poor performance, and may void your warranty.

#### WARNING

Servicing requires extreme care and knowledge and should be performed only by a qualified service technician. Have the product serviced by an authorised service centre only. When servicing, use only original replacement parts.

- Turn off the product and disconnect from the mains before conducting any maintenance or cleaning work.
- You may make adjustments and repairs described in this manual. For other repairs,

contact the authorised service agent.

- After each use, clean the product with a soft, dry cloth. Any part that is damaged should be properly repaired or replaced by an authorised service centre.
- Check all nuts, bolts, and screws at frequent intervals for proper tightness to ensure the product is in safe working condition. Any part that is damaged should be properly repaired or replaced by an authorised service centre.
- Bring the product to an authorised service centre to replace damaged or unreadable labels.
- Avoid using solvents when cleaning plastic parts. Most plastics are susceptible to damage from various types of commercial solvents and may be damaged by their use. Use clean cloth to remove dirt, dust, oil, grease, etc.

#### WARNING

Do not at any time let brake fluids, gasoline, petroleum-based products, penetrating oils, etc., come in contact with plastic parts. Chemicals can damage, weaken or destroy plastic which may result in serious personal injury.

Only the parts shown on the parts list are intended to be repaired or replaced by the customer. All other parts should be replaced at an authorised service centre.

#### RESIDUAL RISKS

Even when the product is used as prescribed, it is still impossible to completely eliminate certain residual risk factors. The following hazards may arise during use, and the operator should pay special attention to avoid the following:

- injury caused by vibration
  - Hold the product by designated handles and restrict working time and exposure.
- injury caused by exposure to noise
  - Wear hearing protection and limit exposure.
- injury caused by flying debris.

- Wear eye protection at all times.

#### RISK REDUCTION

It has been reported that vibrations from handheld tools may contribute to a condition called Raynaud's Syndrome. Symptoms may include tingling, numbness and blanching of the fingers, usually apparent upon exposure to cold. Hereditary factors, exposure to cold and dampness, diet, smoking and work practices are all thought to contribute to the development of these symptoms. There are measures that can be taken by the operator to possibly reduce the effects of vibration:

- Keep your body warm in cold weather. When operating the product, wear gloves to keep the hands and wrists warm. It is reported that cold weather is a major factor contributing to Raynaud's Syndrome.
- After each period of operation, exercise to increase blood circulation.
- Take frequent work breaks. Limit the amount of exposure per day.

If you experience any of the symptoms of this condition, immediately discontinue use and see your physician.

#### WARNING

Injuries may be caused, or aggravated, by prolonged use of a tool. When using any tool for prolonged periods, ensure you take regular breaks.

#### WHAT'S IN THE BOX

- Powerhead x 1
- Edger attachment x1
- Combination wrench x 1
- Front handle x 1
- Operator's manual
- Harness x 1
- Clamp x 1

**Locking Pin x1**

## SYMBOLS ON THE PRODUCT



Read and understand all instructions before operating the product, follow all warnings and safety instructions.



Wear eye and hearing protection.



Do not expose to rain or damp conditions.



Immediately remove the plug from the mains before maintenance or if cable is damaged, cut, or entangled.



Direction of edger blade rotation



Keep feet away from the rotating blade.



Beware of thrown or flying objects. Keep all bystanders, especially children and pets, at least 15 m away from the operating area.



Waste electrical products should not be disposed of with household waste. Please recycle where facilities exist. Check with your local authority or retailer for recycling advice.



Guaranteed sound power level and guaranteed sound pressure level.



Class II tool, double insulation



Regulatory Compliance Mark (RCM). Product meets applicable regulatory requirements.



Parts or accessories sold separately



Note

The following signal words and meanings are intended to explain the levels of risk associated with this product.

### **⚠ DANGER**

Indicates an imminently hazardous situation, which, if not avoided, will result in death or serious injury.

### **⚠ WARNING**

Indicates a potentially hazardous situation, which, if not avoided, could result in death or serious injury.

### **⚠ CAUTION**

Indicates a potentially hazardous situation, which, if not avoided, may result in minor or moderate injury.

### **CAUTION**

Without safety alert symbol

Indicates a situation that may result in property damage.

## SYMBOLS IN THIS MANUAL

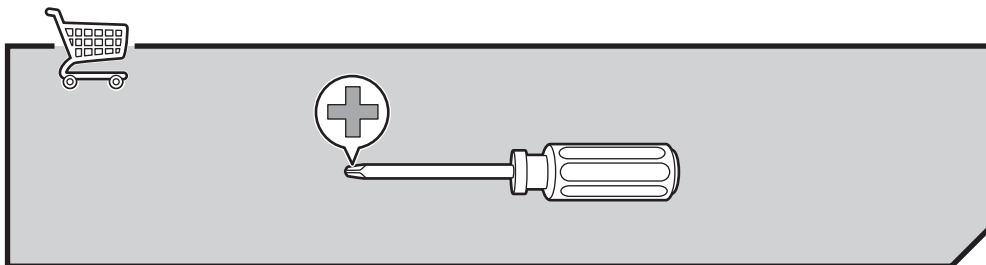
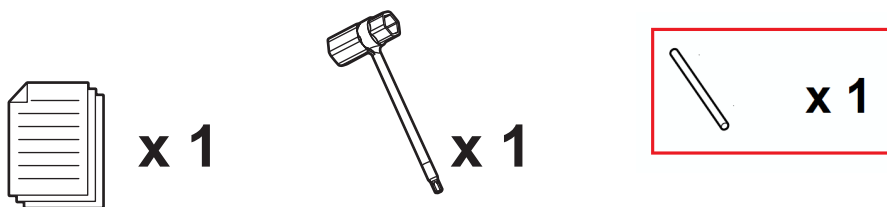
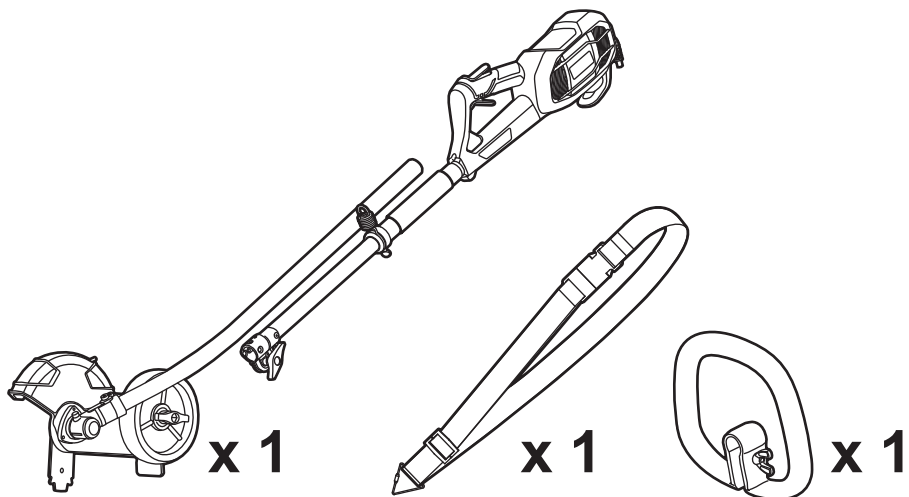


Connect to power outlet.



Disconnect from power outlet.

WHAT'S IN THE BOX

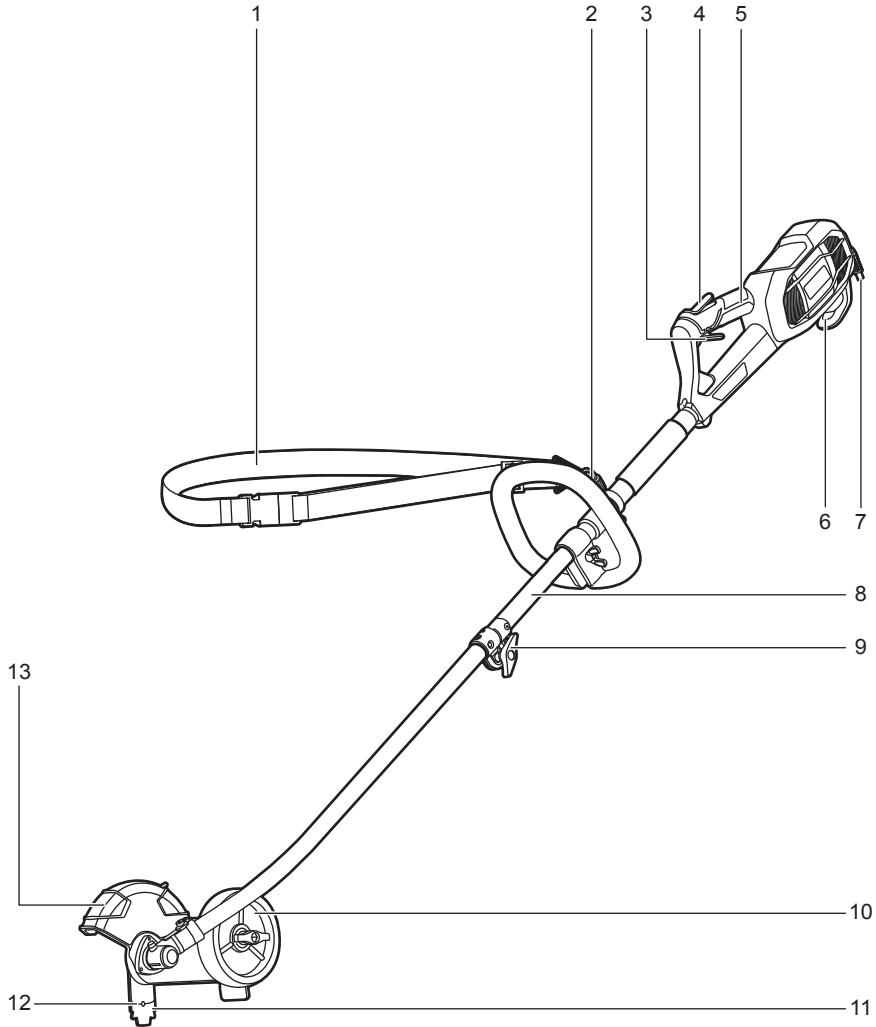




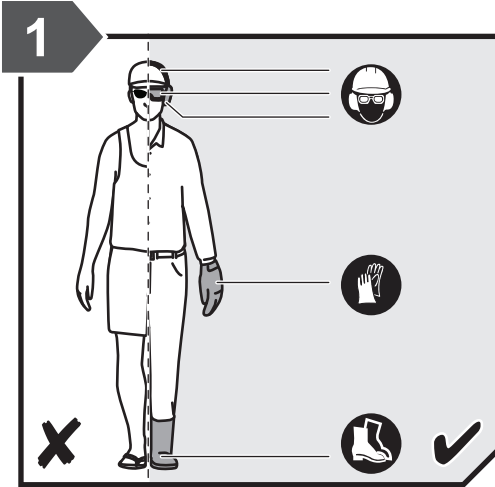
## KNOW YOUR PRODUCT

1. Harness
2. Hanger
3. Throttle trigger
4. Lock-out trigger
5. Rear handle
6. Cord retainer
7. Power cord

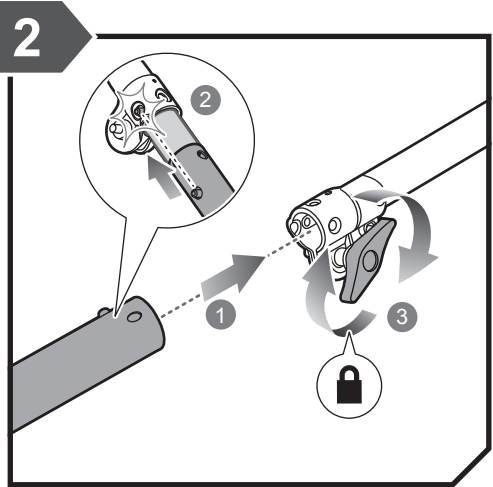
8. Upper shaft
9. Adjustment knob
10. Guide wheel
11. Edger blade
12. Indication line
13. Blade guard



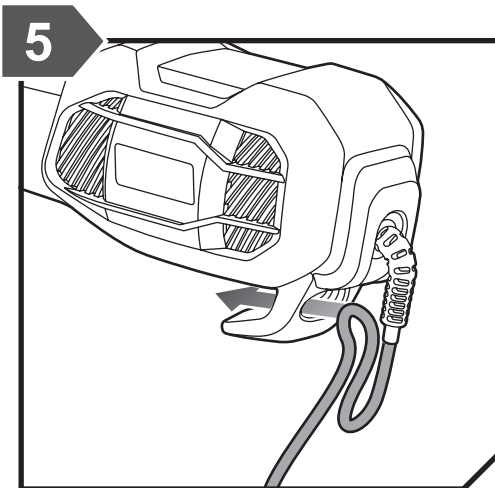
## GETTING STARTED



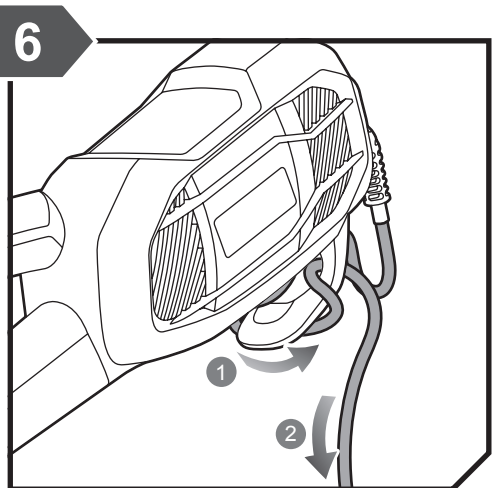
Always wear safety goggles or safety glasses with side shields when operating the product. Wear non-slip, heavy-duty protective gloves. Wear non-skid, protective footwear that will protect your feet and improve your footing on slippery surfaces.



Install the lower shaft to the upper shaft..



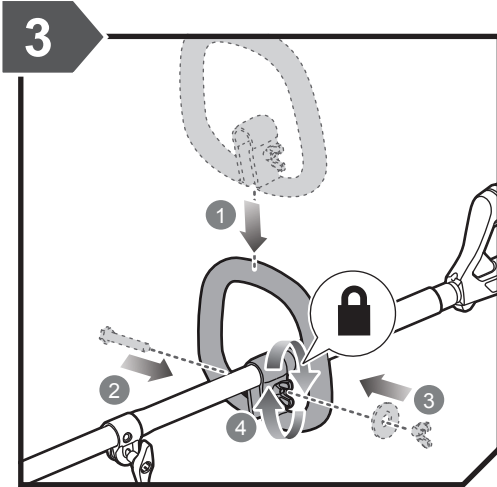
Before using the product, make sure the cable is positioned correctly to avoid damage. Hang the cable onto the cable retainer.



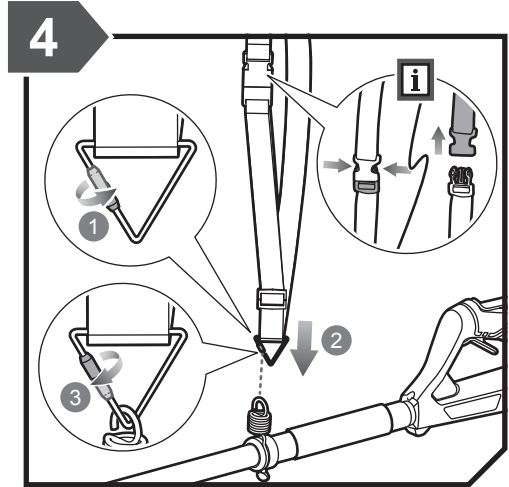
Form a loop and secure the cable in the cable retainer.

**NOTE:** Prevent the unintentional starting. Always check that the switch is in off position before plugging in the product to the power supply.

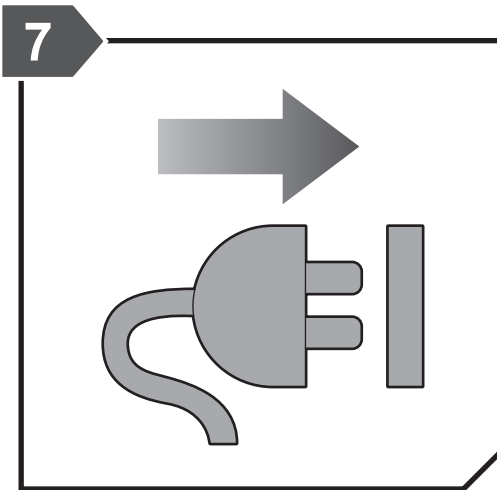
## GETTING STARTED



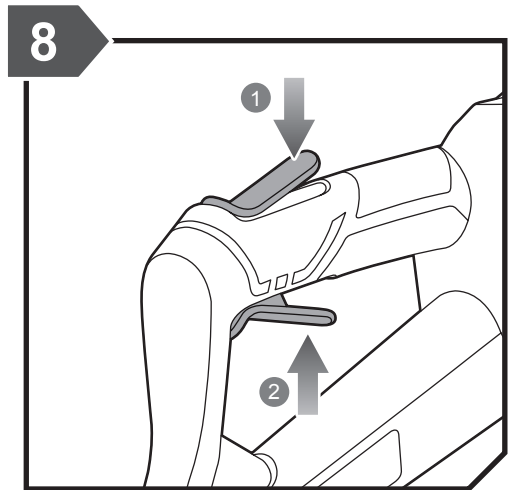
Install the front handle on the upper shaft. Tighten the adjustment knob securely.



Install the harness.

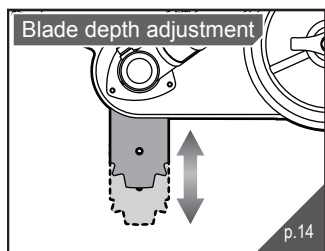
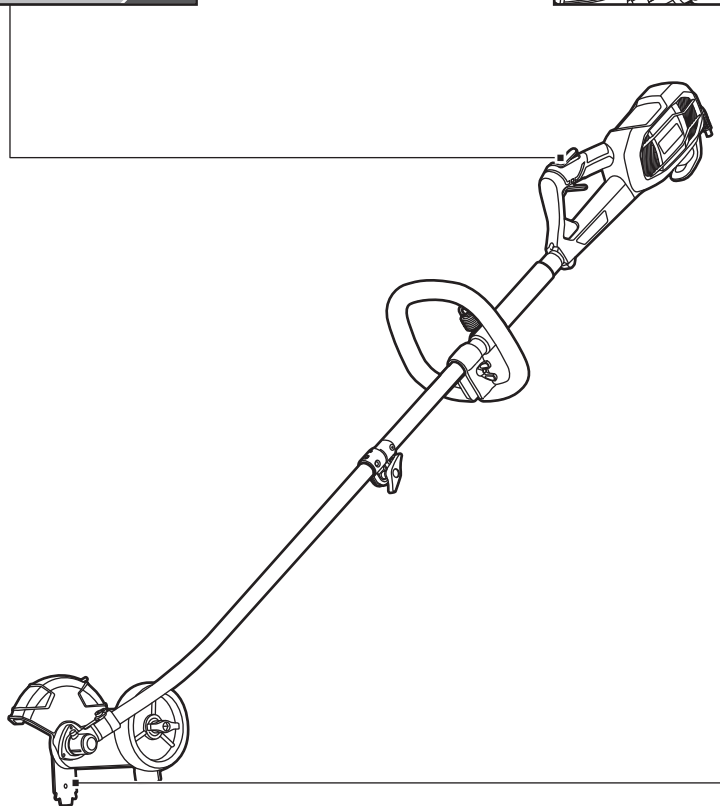
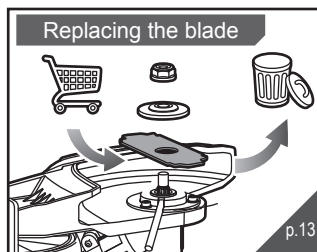
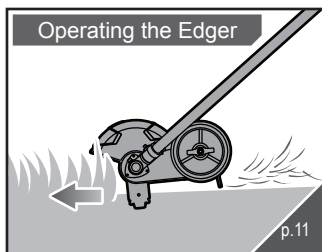


Connect the plug to a power outlet.

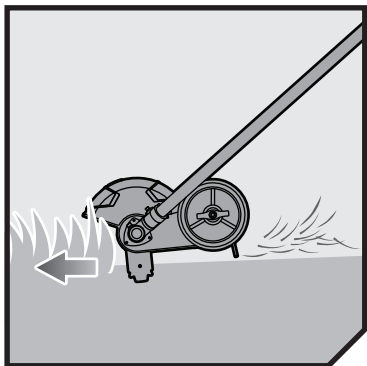


Press the lock-out button (1) and then squeeze the throttle trigger (2).

# OVERVIEW



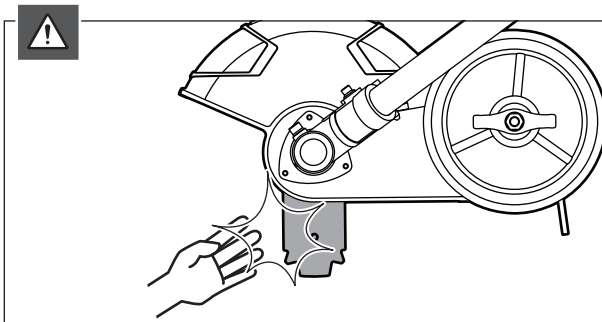
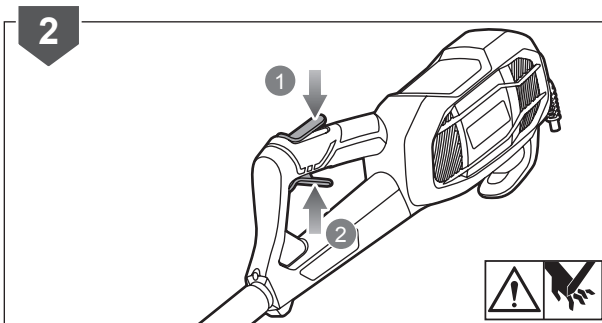
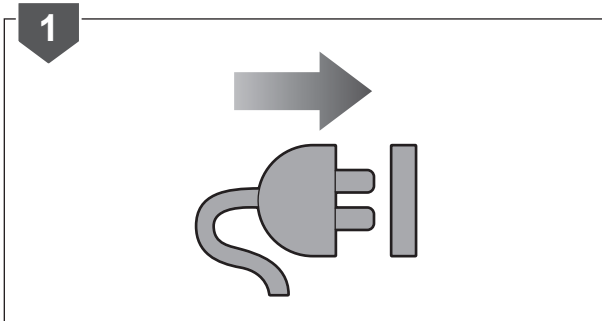
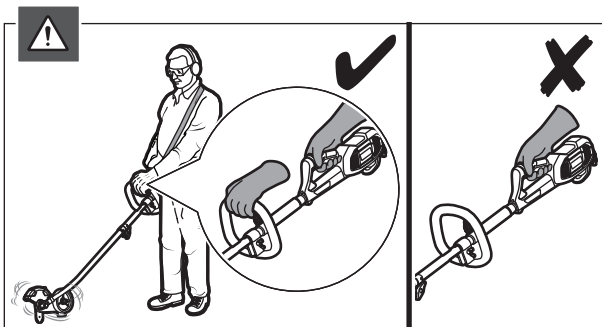
## OPERATION



### OPERATING THE EDGER

**WARNING:** Always operate with two hands and exercise extreme caution when using the product. The blade will reduce in speed if the edger is operated too quickly.

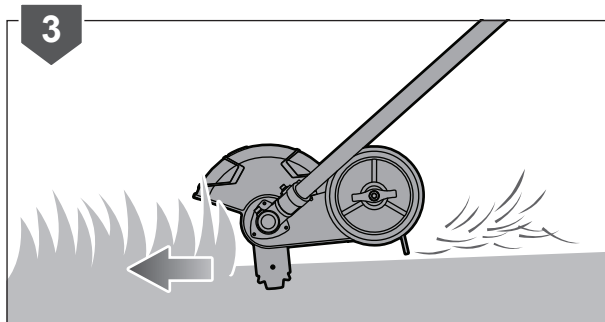
1. Connect the plug to a power outlet.
2. Press the lock-out trigger (1) and then squeeze the throttle trigger (2).

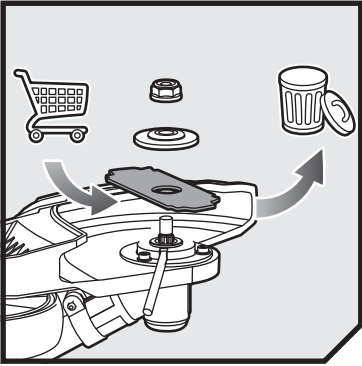


## OPERATION

3. Operate the edger at a steady pace. The blade begins to freeze when you edge too fast. Do not force the blade into the ground. Avoid edging in wet soil or areas with damp grass and shrubbery.

**WARNING:** The cutting elements will continue to rotate for 2-3 seconds after the product is turned off.





**REPLACING THE BLADE**

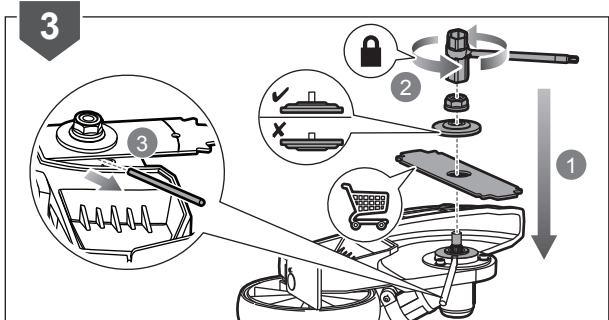
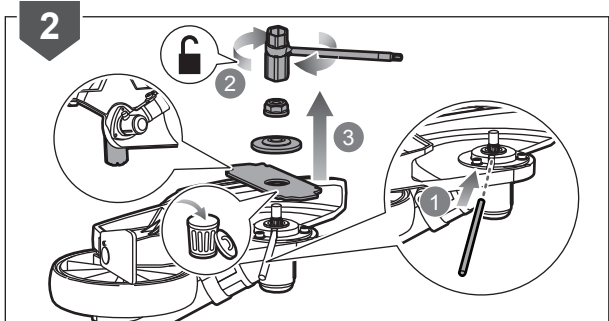
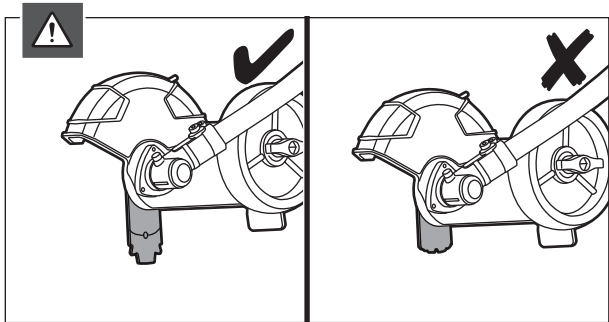
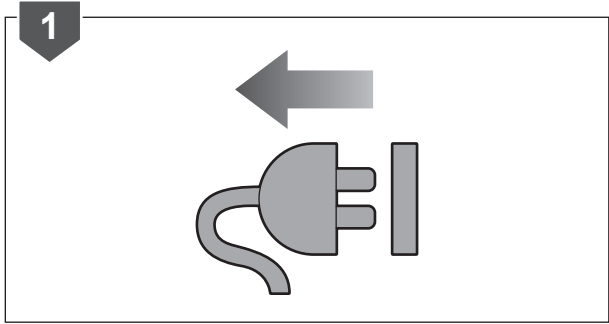
1. Disconnect the plug from the power outlet.

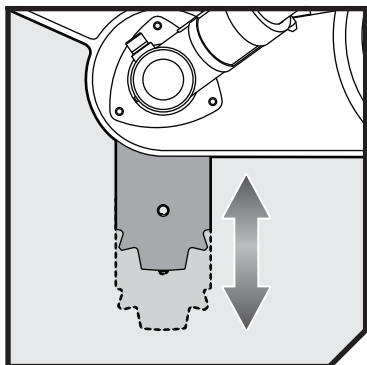
**WARNING:** Replace the blade when the blade wears down to the indication line.

2. Insert the locking pin into the inner flange washer. Using the combination wrench, remove the blade nut, outer flange washer and blade.

3. Install the new blade on the inner flange washer and then reinstall the outer flange washer, and blade nut. Secure using the combination wrench. Make approximately 3.5 turns after finger tight to tighten the blade screw. The recommended torque for the blade is  $\geq 25$  Nm. Remove the locking pin.

**WARNING:** Make sure the blade is correctly installed and securely fastened before each use.

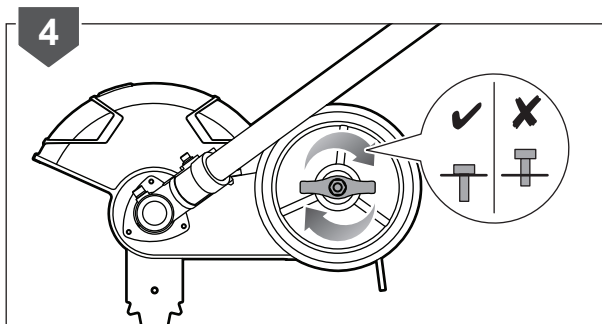
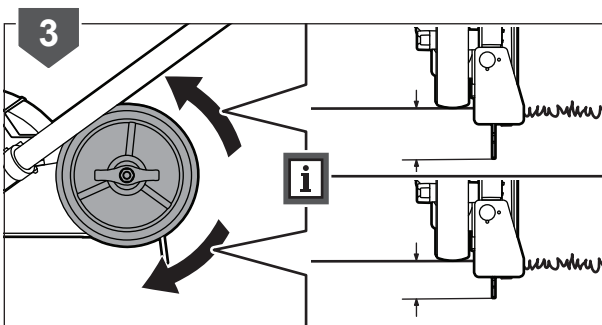
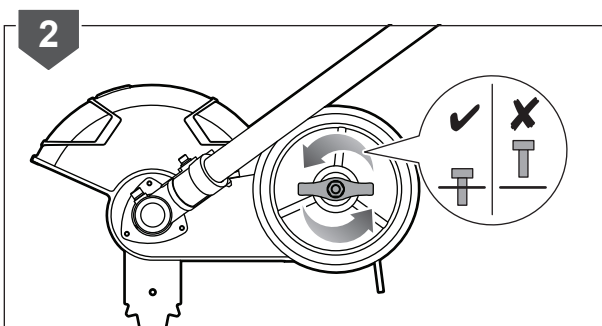
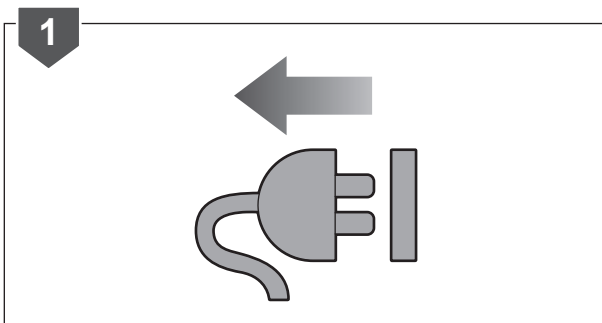




**BLADE DEPTH ADJUSTMENT**

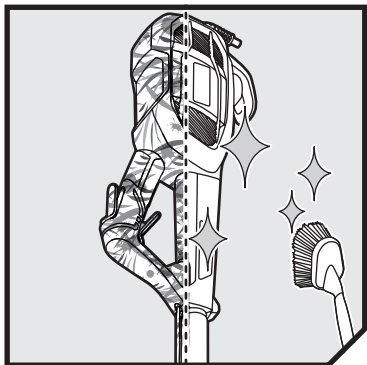
1. Disconnect the plug from the power outlet.
2. Loosen the adjusting knob.
3. Move the wheel arm up to increase the depth or down to decrease the depth.
4. After adjustment is complete, tighten the adjusting knob securely.

**NOTE:** The blade can be adjusted from 12 mm to 57 mm. Initially, make a shallow cut to test the cutting depth. If the cutting depth needs adjusting, this should be done progressively until the desired depth is reached.





## MAINTENANCE

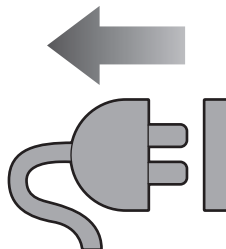


### CLEANING THE PRODUCT

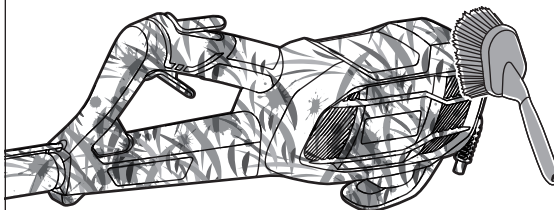
1. Disconnect the plug from the power outlet.
2. Clean all foreign materials from the product.

**WARNING:** Keep the product away from corrosive agents, such as garden chemicals and de-icing salts.

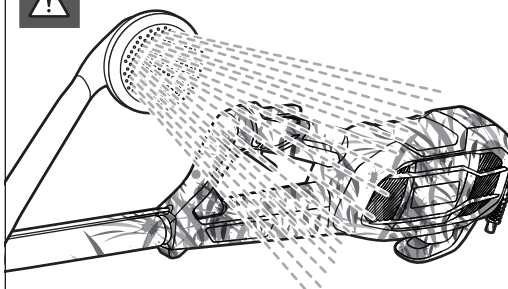
1



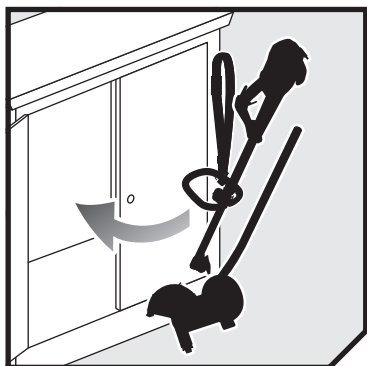
2



!



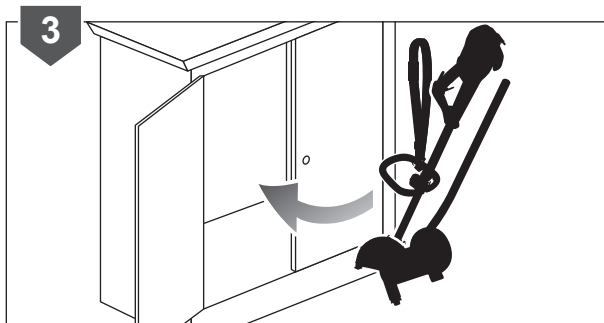
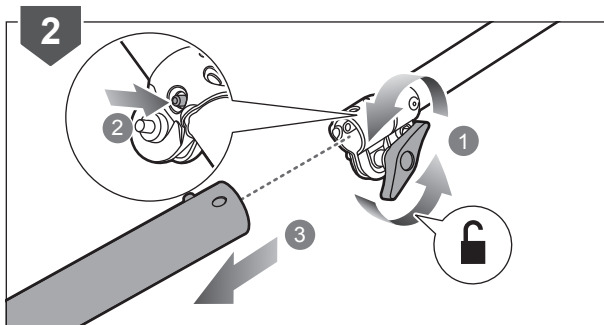
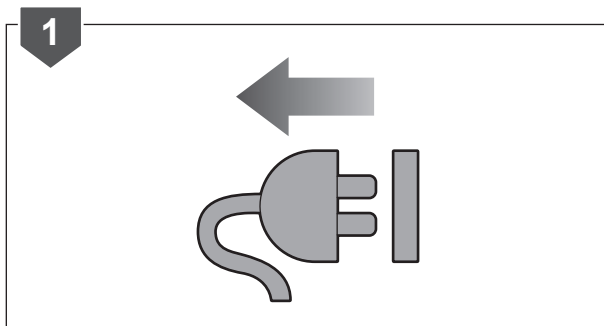
## STORAGE



### STORING THE PRODUCT

**NOTE:** Make sure to clean the product before storing.

1. Disconnect the plug from the power outlet.
2. Remove the lower shaft from the upper shaft.
3. Store the product.



## PRODUCT SPECIFICATIONS

Electric edger

Model RED1220

Rated power 1200 W

Rated voltage 230-240 ~ 50 Hz

Blade length size 204 mm

No-load speed 4000 min<sup>-1</sup>

Edging depth Adjustable from 12 mm to 57 mm

Weight 5.54 kg

Recommend torque for blade  $\geq 25$  Nm

Vibration Level (in accordance with AS/NZS 60335.2.91 Annex BB)

Front handle 0.4 m/s<sup>2</sup>

Rear handle 1.3 m/s<sup>2</sup>

Uncertainty of measurement 1.5 m/s<sup>2</sup>

Noise emission level ( in accordance with AS/NZS 60335.2.91 Annex CC)

A-weighted sound pressure level at the operator's position 88.3 dB(A)

Uncertainty of measurement 2.5 dB

A-weighted sound power level 99.1 dB(A)

Uncertainty of measurement 2.5 dB

## REPLACEMENT PART

Blade 638006013











Imported by:

**Techtronic Industries Australia Pty. Ltd.**  
31 Gilby Road, Mount Waverley, VIC 3149  
Melbourne, Australia

**Techtronic Industries N.Z. Limited**  
2 Landing Drive, Mangere,  
Auckland, 2022, New Zealand

*RYOBI is a trademark of Ryobi Limited,  
and is used under license.*

099119003001-01