

Screen Door Instructions

TOOLS REQUIRED

- Phillips Head Screwdriver
- Drill
- Hammer
- Chisel

DOOR INSTALLATION

This door can be mounted for swinging open outwards from either right or left hand side.

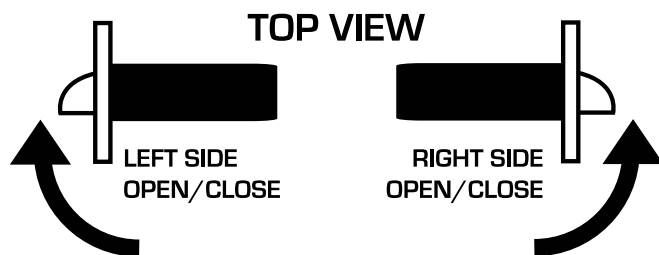
Carefully measure the opening to ensure the correct size door has been selected and it falls within the size range stated on the packaging. Seek professional advice if unsure.

For installation ease, it is recommended to hang your Bastion Door before assembling door mechanism and lock. Hinges are already fitted to the door so simply align in doorway, mark and pre-drill installation points before fixing door.

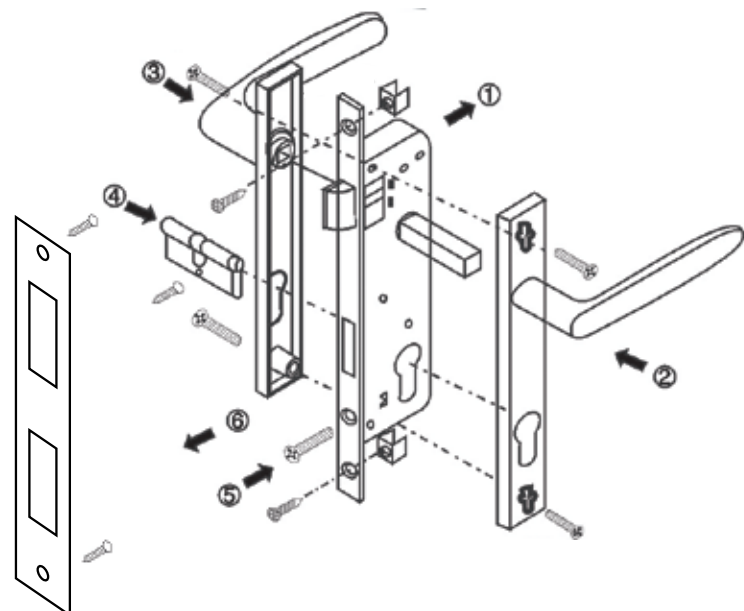
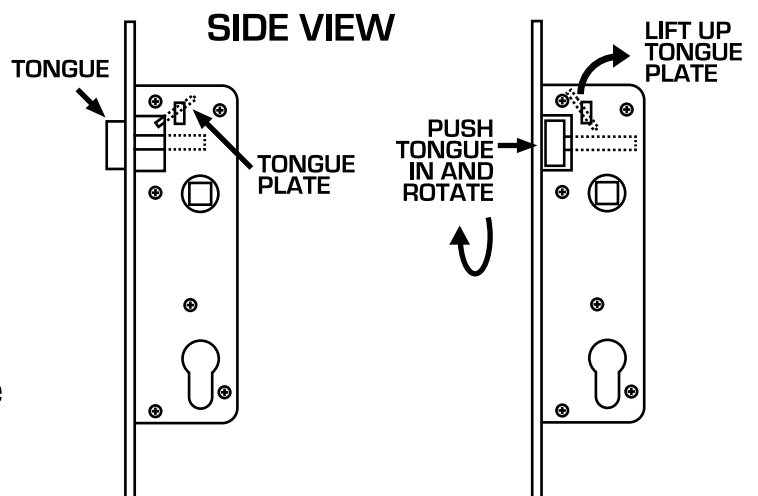
Ensure door is aligned correctly to opening (horizontally & vertically) and can operate freely.

LOCK ASSEMBLY

Depending on installation side (left or right), you may need to flip the lock tongue to suit;



1. Lift up tongue plate
2. Push Tongue into gap
3. Spin/Flip Tongue 180 degrees & release



1. Insert lock mechanism into lockbox opening and fasten using screws (ST4.8x24)
2. Insert the axle through the lock and align the handles
3. Fasten with screws (M5x70) with rounded head screws to the exterior side.
4. Insert the lock cylinder with the "snib lock" to the interior side.
5. Align cylinder screw hole with plate screw hole and fasten (M5x32)
6. Measure striker plate location. Chisel frame if required to fit, screw into place.

FOR ANY WARRANTY ISSUES, PLEASE CONTACT YOUR BUNNINGS STORE OF PURCHASE