

RGLM18



IMPORTANT!

It is essential that you read the instructions in this manual before assembling, operating, and maintaining the product. Subject to technical modifications.

Safety, performance, and dependability have been given top priority in the design of your glue gun.

INTENDED USE

The glue gun is intended for applying hot glue adhesives. Do not use the product for any other purpose. Use of the product for operations different from intended could result in a hazardous situation.

GLUE GUN SAFETY WARNINGS

- This appliance is not intended for use by persons (including children) with reduced physical, sensory or mental capabilities, or lack of experience and knowledge, unless they have been given supervision or instruction concerning use of the appliance by a person responsible for their safety.
- Children should be supervised to ensure that they do not play with the appliance.
- The product must be placed on its stand when not in use.
- If the product is to be stored unused for a long period, the batteries should be removed.
- The supply terminals are not to be short-circuited.

ADDITIONAL BATTERY SAFETY WARNINGS

- To reduce the risk of fire, personal injury, and product damage due to a short circuit, never immerse your tool, battery pack or charger in fluid or allow a fluid to flow inside them. Corrosive or conductive fluids, such as seawater, certain industrial chemicals, and bleach or bleach-containing products, etc., can cause a short circuit.

TRANSPORTING LITHIUM BATTERIES

Transport the battery in accordance with local and national provisions and regulations.

Follow all special requirements on packaging and labelling when transporting batteries by a third party. Ensure that no batteries can come in contact with other batteries or conductive materials while in transport by protecting exposed connectors with insulating, non-conductive caps or tape. Do not transport batteries that are cracked or leaking. Check with the forwarding company for further advice.

MAINTENANCE

- Use only original accessories and spare parts. Should components need to be replaced which have not been described, please contact an authorised service centre. All repairs should be performed by an authorised service centre.
- Avoid using solvents when cleaning plastic parts. Most plastics are susceptible to various types of commercial solvents and may be damaged by their use. Use clean cloths to remove dirt, carbon dust, etc.
- Do not at any time let brake fluids, gasoline, petroleum-based products, penetrating oils, etc., come in contact

with plastic parts. Chemicals can damage, weaken or destroy plastic which may result in serious personal injury.

SYMBOLS ON THE PRODUCT



Safety alert



Volts



Direct current



Regulatory Compliance Mark (RCM). Product meets applicable regulatory requirements.



Please read the instructions carefully before starting the machine.



Do not expose to rain or use in damp locations.



To reduce the risk of injury or damage, avoid contact with any hot surface.



Hot surface



Waste electrical products should not be disposed of with household waste. Please recycle where facilities exist. Check with your local authority or retailer for recycling advice.

SYMBOLS IN THIS MANUAL



Lock



Unlock



Note



Waiting time



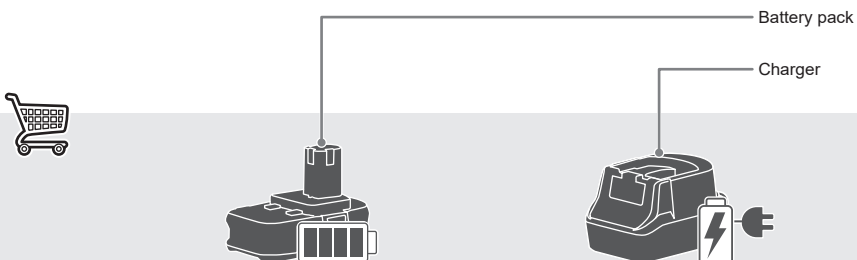
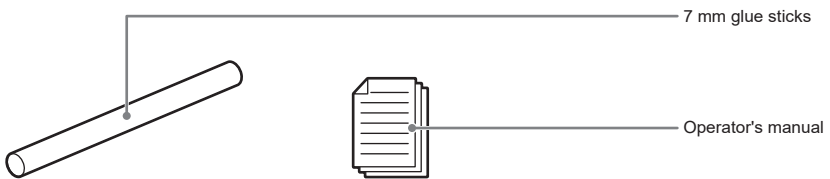
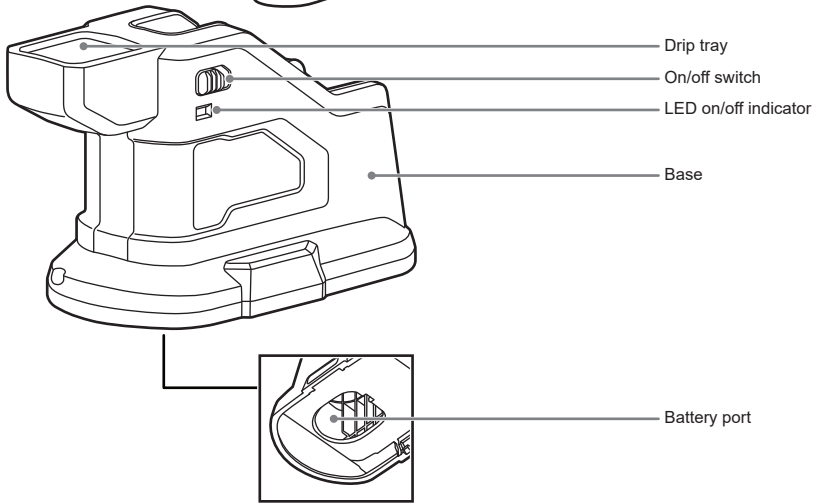
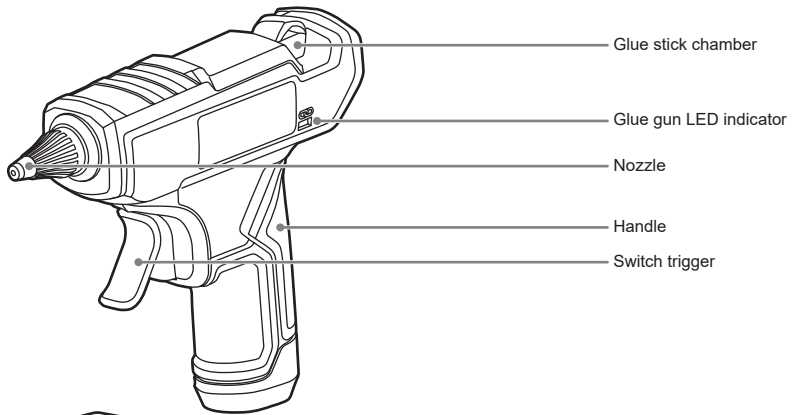
Off

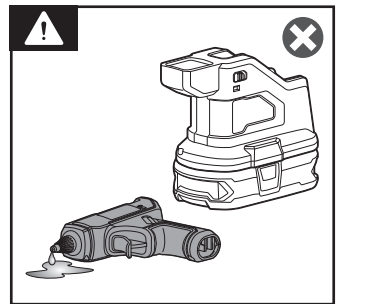
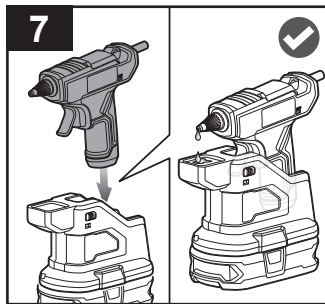
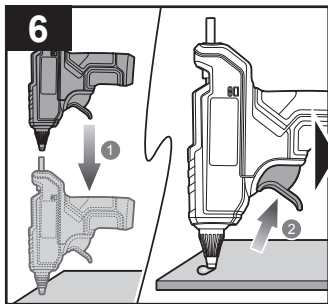
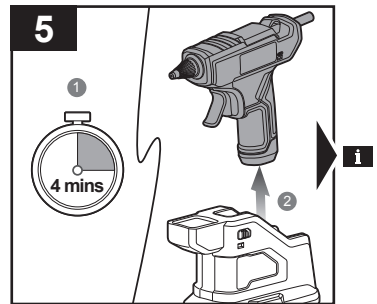
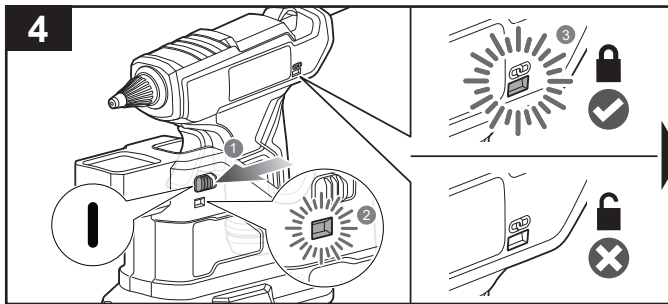
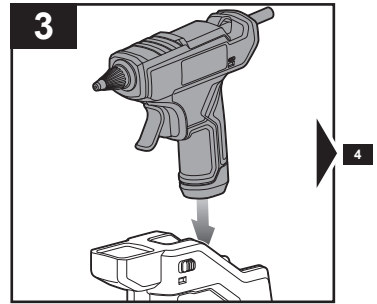
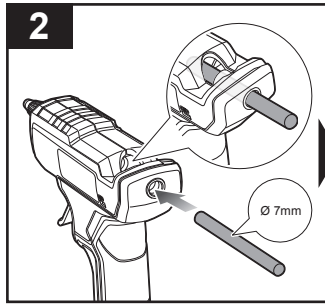
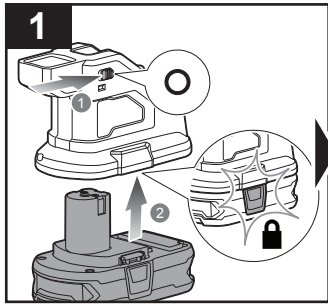


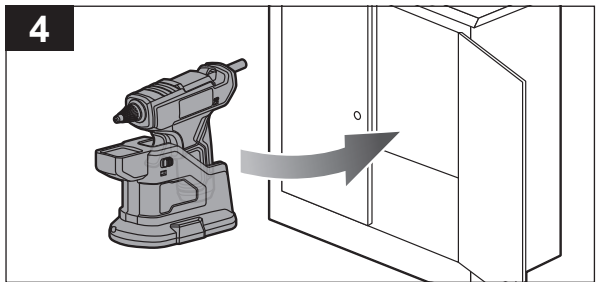
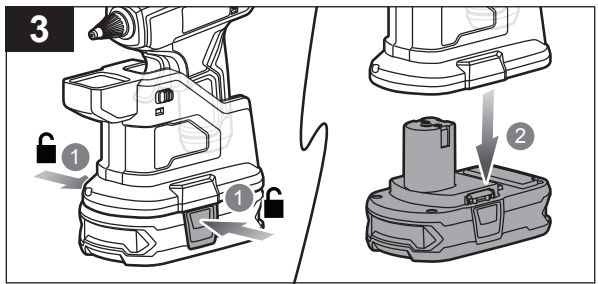
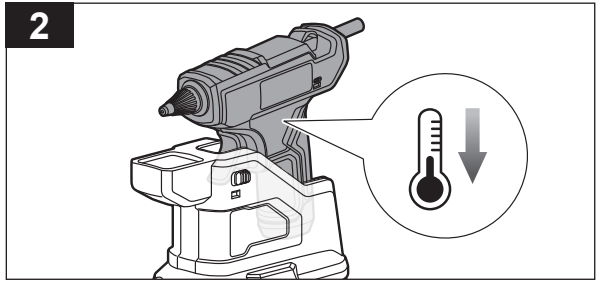
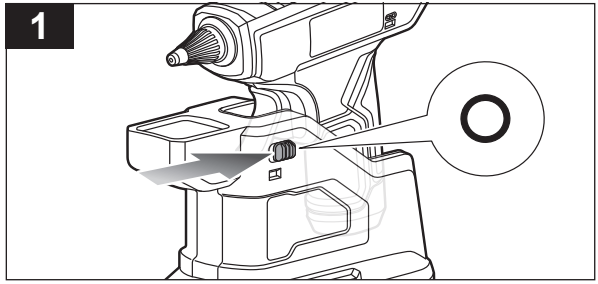
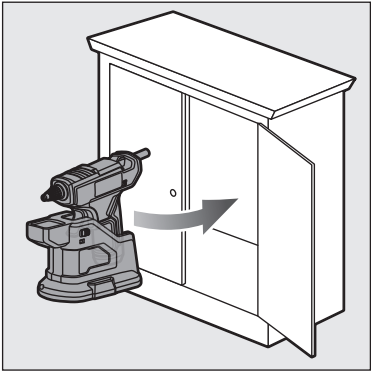
On




Parts or accessories sold separately







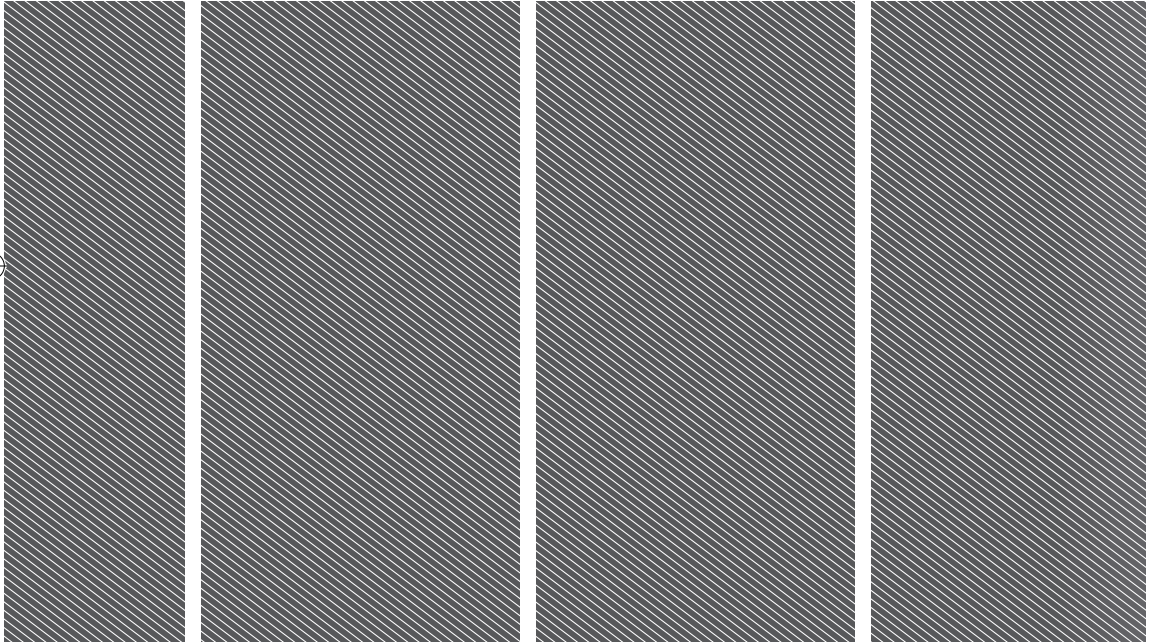
PRODUCT SPECIFICATIONS

Glue gun	
Model	RGLM18
Voltage	18 V 
Nozzle hole	1.8 mm
Glue stick diameter	7.0 mm
Approximate heat up time (minutes)	4
Temperature range at the nozzle:	130 °C (±10 °C)
Weight - excluding battery pack	0.4 kg

BATTERY AND CHARGER

Model	Compatible battery pack (not included)	Compatible charger (not included)
Lithium-Ion	RB18L13	
	RB18L15	
	RB18L15A	
	RB18L15B	
	RB18L20	
	RB18L20A	
	RB18L25	BCS618G
	RB18L25A	BCL14181H
	RB18L40	BCL14183H
	RB18L40A	BCL1418IV*
	RB18L50	RC18150U
	RB18L50A	RC18627U
	RB18L60A	RC18120
	RB18L90A	RC18115
	RB1815C	
	RB1820C	
	RB1840C	
RB1820X		
RB1840X		





Imported by:
Techtronic Industries Australia Pty Ltd
31 Gilby Road, Mount Waverley, VIC 3149
Melbourne, Australia

Techtronic Industries N.Z. Limited
Unit C, 70 Business Parade South,
Highbrook, Auckland 2013, New Zealand

RYOBI is a trade mark of Ryobi Limited, and is used under license.
© 2020 Techtronic Cordless GP

20201229v1

