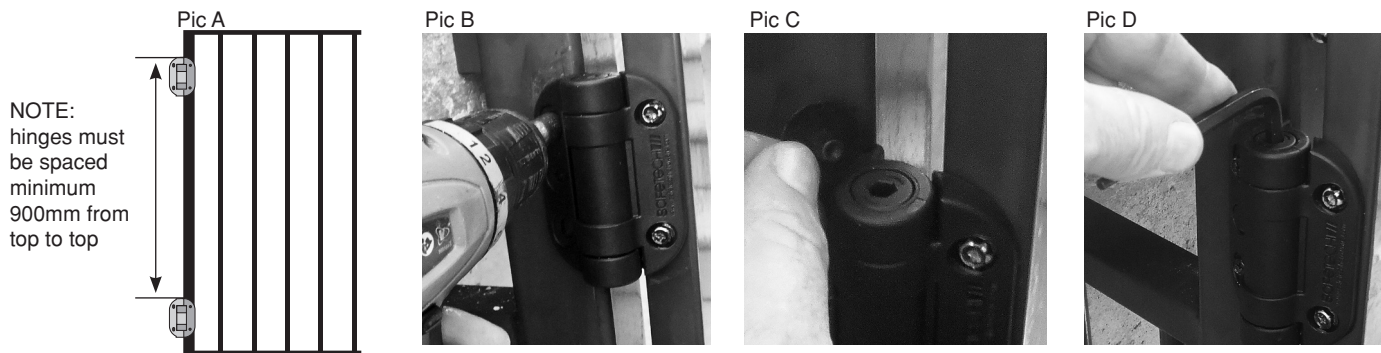


POOL SAFE GATE KIT

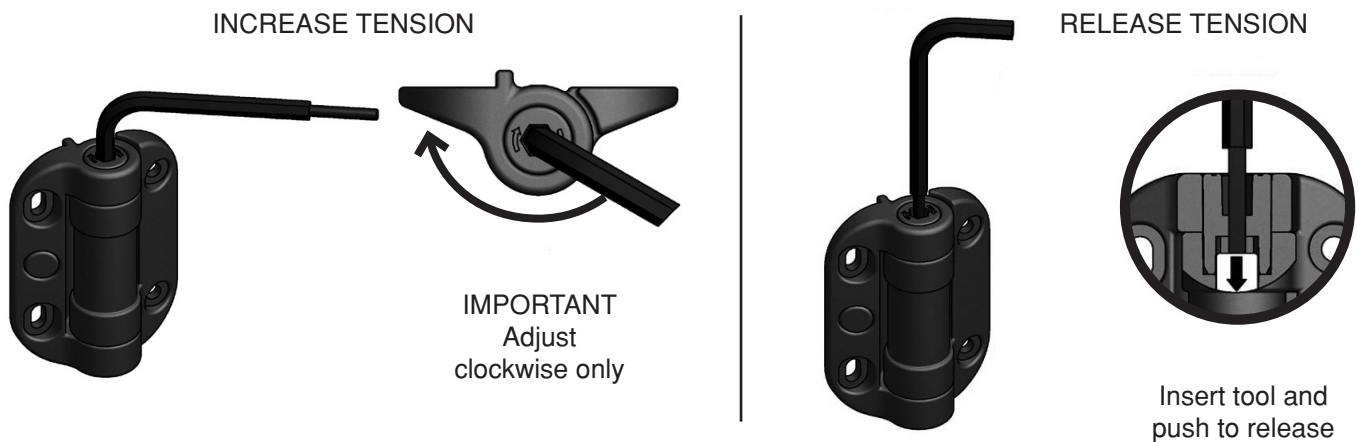
EASY INSTALLATION GUIDE

Before installing a pool gate, check with your local Council regarding specific pool fence requirements.

HINGES



Adjustment diagrams



1. Mark and fix hinges to gate. Distance between top of hinges must be minimum of 900mm (Pic. A), if this isn't possible Hinge Cone (supplied) must be fitted to the bottom hinge (Pic. E).
2. Align gate with hinge post and fix hinges to post (Pic B).
3. To Adjust hinge tension, simply use supplied tool (see adjustment diagrams)
 - ONE tension click per hinge at a time
 - check for desired gate tension after each adjustment
NOTE: Gate MUST be able to self close from any open position
 - Aim for equal amounts of tension clicks on each hinge if possible
 - Maximum FOUR tension clicks per hinge
 - Once adjusted fit the supplied covers to the top of the hinges.
4. Safety cone reduces the risk of children using the hinge as a foothold to climb over the gate. Must be fitted to the bottom hinge if the top of the hinges are less than 900mm apart.

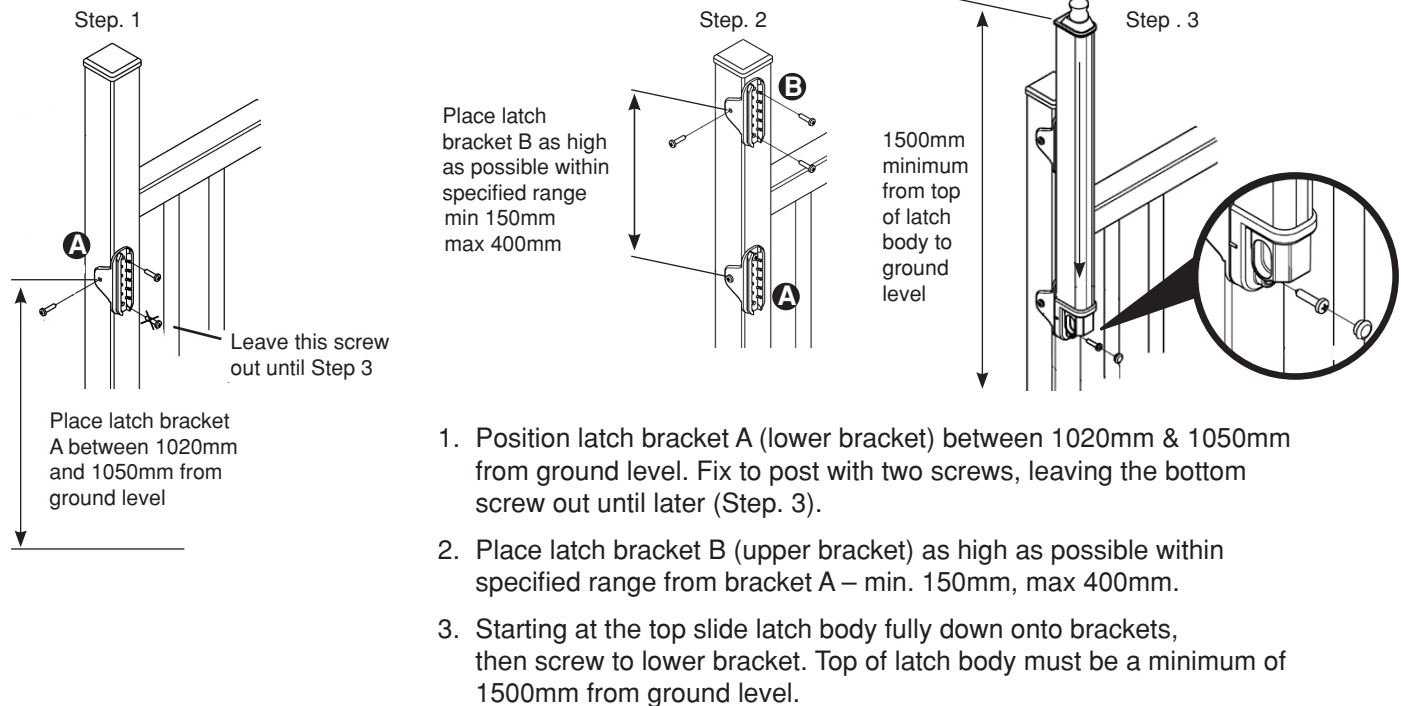


Pic E

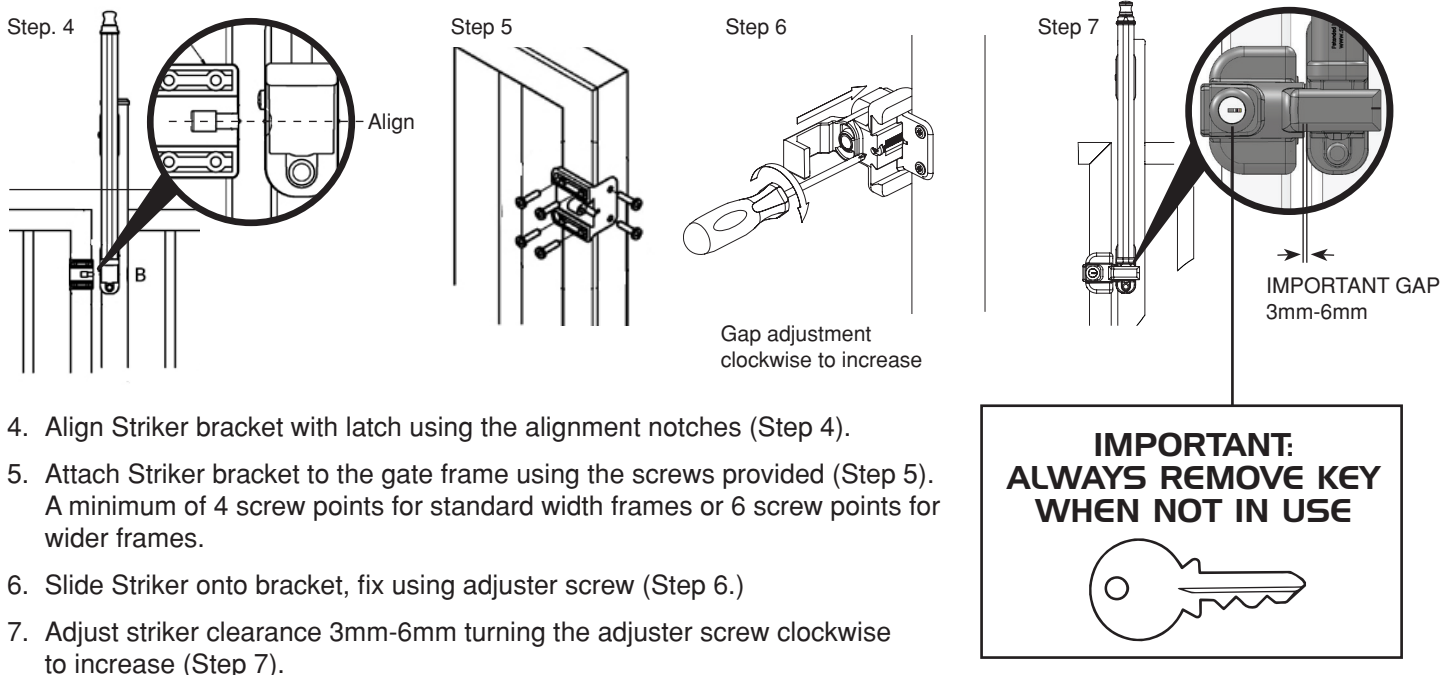
POOL SAFE GATE KIT

EASY INSTALLATION GUIDE

LATCH



STRIKER



HANDLE

Optional handle can be fixed to gate if required.
Do not install below striker bracket.



MAKING WAVES FOR POOL SAFETY

G8SAFE
.com.au