

OWNER'S MANUAL



Portable Tabletop OR Side Fire Box™

Model #22424

**Keep your receipt with this manual for
Warranty.**

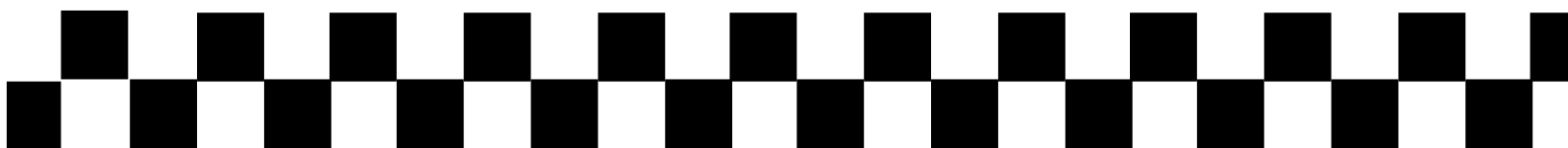
**CUSTOMER SERVICE
1-912-638-4724
Service@CharGriller.com**

Contents of this manual are Trademarked and Copyrighted by Char-Griller | A&J Manufacturing.
Using the information contained in this manual without consent of Char-Griller and/or A&J
Manufacturing is strictly prohibited.



TABLE OF CONTENTS

Safety Warnings & Warranty.....	A-1
Assembly Instructions	B-1
Table Top Grill	B-1
Side Fire Box	B-6
Product Usage	C-1
Recipes	D-1
Accessories	E-1



Congratulations on your Char-Griller® purchase!

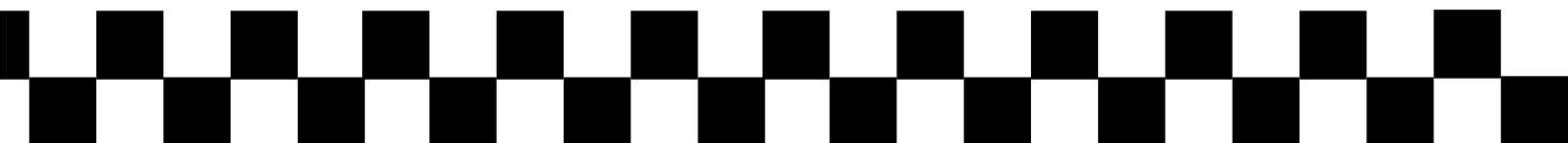
You have purchased a product that can be used as
EITHER
a Portable Table Top Charcoal Grill
OR
as a mounted side fire box on a Char-Griller barrel grill.

Assembly instructions for use as a
Portable Table Top Grill can be
found on page B-1.



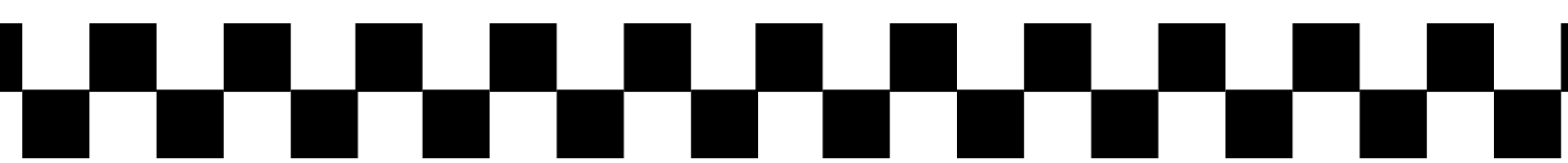
Assembly
instructions for use as
a **Side Fire Box** can
be found on page B-6.

This application turns your existing Char-Griller barrel
grill into an authentic Texas-style Offset Smoker!





**This Page Intentionally
Left Blank**



IMPORTANT SAFETY WARNINGS

READ ALL SAFETY WARNINGS AND INSTRUCTIONS CAREFULLY BEFORE ASSEMBLING AND OPERATING YOUR GRILL

Read the following instructions carefully and be sure your appliance is properly assembled, installed, and maintained. Failure to follow these instructions may result in serious bodily injury and/or property damage. If you have any questions concerning assembly or operation, call 912-638-4724.

- Grill is for use outdoors and in well-ventilated areas, only.
- Use caution when assembling and operating your grill to avoid scrapes or cuts from sharp edges.
- Do not use gasoline, kerosene, or alcohol to light charcoal. Use of any of these or similar products could cause an explosion possibly leading to severe bodily injury.
- Do not leave a lit grill unattended. Keep children and pets away from grill at all times.
- Use caution when moving grill to prevent strains.
- Keep grill at least 15 feet from any combustible material (decks, buildings, fences, trees, bushes, etc).
- When adding charcoal and/or wood, use extreme caution.
- Never move grill when it is in use or when it contains hot coals or ashes.
- Do not place grill near flammable liquids, gases, or where flammable vapors may be present.
- Use caution since flames can flare-up when fresh air suddenly comes in contact with fire.
- When opening the lid, keep hands, face, and body safe from hot steam and flame flare-ups.
- **WARNING:** To avoid injuries gloves or other protective articles should be used when touching the ash pan hangers.
- Do not exceed a temperature of 400°F.
- Do not allow charcoal and/ or wood to rest on the walls of grill. Doing so will greatly reduce the life of the grill.
- Always wear oven mitts to protect hands from burns. Avoid touching hot surfaces.
- **CAUTION:** Exposed metal dampers on air vents and and/or metal handles are hot during usage. Again, always wear oven mitts when adjusting air flow to protect hands from burns.



WARNING: FUELS USED IN WOOD OR CHARCOAL BURNING APPLIANCES, AND THE PRODUCTS OF COMBUSTION OF SUCH FUELS, CAN EXPOSE YOU TO CHEMICALS INCLUDING CARBON BLACK, WHICH IS KNOWN TO THE STATE OF CALIFORNIA TO CAUSE CANCER, AND CARBON MONOXIDE, WHICH IS KNOWN TO THE STATE OF CALIFORNIA TO CAUSE BIRTH DEFECTS OR OTHER REPRODUCTIVE HARM. *For more information go to:* www.P65Warnings.ca.gov.

ADVERTENCIA: LOS COMBUSTIBLES USADOS EN EQUIPOS PARA QUEMAR MADERA O CARBÓN, ASÍ COMO LOS PRODUCTOS DE TAL COMBUSTIÓN, PUEDEN EXPONERTE A SUSTANCIAS QUÍMICAS, ENTRE ELLAS EL NEGRO DE HUMO Y EL MONÓXIDO DE CARBONO, QUE EL ESTADO DE CALIFORNIA RECONOCE COMO CAUSA, RESPECTIVAMENTE, DE CÁNCER Y DE MALFORMACIONES CONGÉNITAS Y OTROS DAÑOS AL SISTEMA REPRODUCTOR. *Para más información, visite* www.P65Warnings.ca.gov



IMPORTANT SAFETY WARNINGS

(Continued)

- When opening lid, make sure it is pushed all the way back so it rests against the lid support brackets. Use extreme caution as hood could fall back to a closed position and cause bodily injury.
- Close lid and all dampers to help suffocate flame.
- Always hold an open lid from the handle to prevent it from closing unexpectedly.
- Never leave coals and ashes unattended. Before grill can be left unattended, coals and ashes must be removed. Use caution to protect yourself and property.
- Carefully place remaining coals and ashes in a noncombustible metal container and saturate completely with water. Allow coals and water to remain in metal container 24 hours prior to disposing.
- To protect against bacteria that could cause illness, keep all meats refrigerated and thaw in refrigerator or microwave. Keep raw meats separate from other foods, and wash everything that comes in contact with raw meat.
- Cook meat thoroughly, and refrigerate leftovers immediately.
- Use a calibrated food thermometer and the USDA guidelines to ensure that meat, poultry, seafood, and other cooked foods reach a safe minimum internal temperature.
- Always have a fire extinguisher near at all times. Maintain and check your fire extinguisher regularly.

THESE WARNINGS ALSO APPLY TO THE SIDE FIRE BOX.

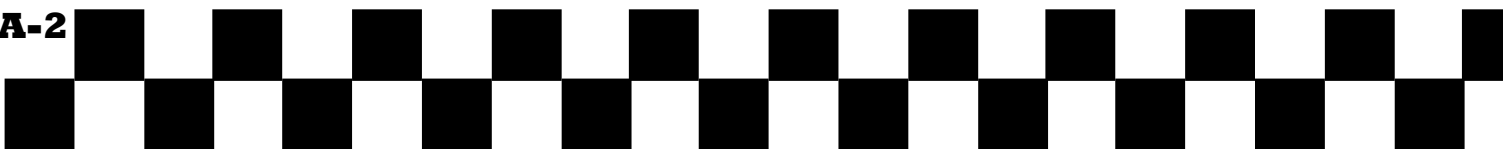
REGISTER YOUR GRILL:

To take full advantage of the Char-Griller warranty be sure to register your grill by visiting www.CharGriller.com/Register or calling Customer Service at **1-912-638-4724**.

Registration provides important protections:

1. In the extremely unlikely event of a product recall Char-Griller can easily contact you and rectify the issue.
2. If a warrantied part is broken or missing we can send you the needed parts promptly.

NOTE: You will need your model #, serial number, and a copy of the original sales receipt when registering.



STOP! CALL FIRST!

Do NOT Return Product to Store.

This grill has been made according to the highest of quality standards. If you have any questions that are not addressed in this manual or if you need parts please call our Customer Service Department at 1-912-638-4724 (USA) or email Char-Griller at: Service@CharGriller.com and have your serial number handy.

Document Your Grill Model and Serial Numbers HERE:

(Model and Serial number are located on the back of the grill body or on the leg.)

(MODEL #)

(SERIAL #)





WARRANTY INFORMATION

A COPY OF THE DATED PROOF OF PURCHASE (RECEIPT) IS REQUIRED WHEN REGISTERING OR SUBMITTING A WARRANTY* CLAIM. PLEASE RETAIN A COPY OF THE RECEIPT FOR YOUR RECORDS.

Char-Griller will replace any defective part of its grillers/smokers, under warranty, as outlined below.

PLEASE READ THIS INFORMATION IN DETAIL AND IF YOU HAVE ANY QUESTIONS CONTACT CUSTOMER SERVICE AT 912-638-4724 OR SERVICE@CHARGRILLER.COM.

Charcoal / Pellet / Kamado Grills	
Grill - Hood AND Bottom (excludes removable Ash Pan)	5 years from date of purchase for rust through / burn through
Ash Pan AND Defective Parts	1 year from date of purchase
Gas Grills	
Grill Hood (TOP half) AND Main Burner Tubes (excludes Side Burner)	5 years from date of purchase for rust through / burn through
Grill Body (BOTTOM half) AND Side Burner AND Defective Parts	1 year from date of purchase
Dual Fuel Grills (Gas & Charcoal)	
Charcoal Grill - Hood AND Bottom AND Gas Grill Hood (TOP half) AND Main Burner Tubes (excludes Ash Pan and Side Burner)	5 years from date of purchase for rust through / burn through
Ash Pan AND Defective Parts AND Gas Grill Body (BOTTOM half) AND Side Burner	1 year from date of purchase
Parts, Accessories, and Grill Covers	
	1 year from date of purchase (seam tears only for covers)

SURFACE RUST IS NOT CONSIDERED A MANUFACTURING OR MATERIALS DEFECT

Char-Griller grills are made of steel and if exposed to the elements rust will occur naturally. Please refer to the section entitled, "Usage" to review how to care for your grill properly.

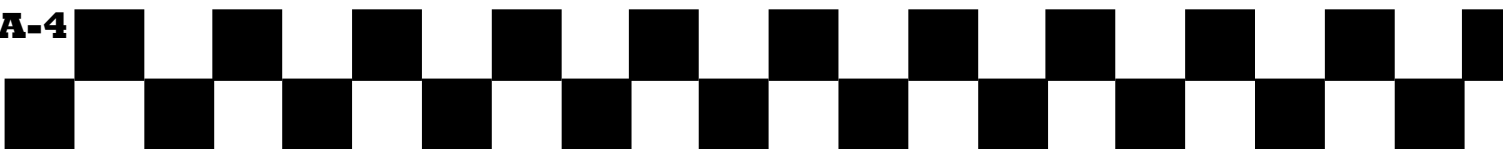
Surface issues such as scratches, dents, corrosion or discoloring by heat, abrasive and chemical clearers, surface rust or the discoloration of steel surfaces are NOT covered under these warranties.

Warranties are for the replacement of defective parts only. Char-Griller is not responsible for damage resulting from accident, alteration, misuse, abuse, hostile environments, improper installation, and installation not in accordance with local codes of service of unit.

Excluded Under ALL Warranties

Paint; Surface Rust; Heat Damage; Incorrect Parts ordered by customer, including shipping; Worn Parts; Missing or damaged parts not reported within two (2) months of purchase date; Defective parts not reported within one (1) year of purchase date; Fading grill cover.

*NOTE: For warranty claims, photos and prepaid return of the item in question may be required. Misuse, abuse or commercial use nullifies all warranties.



ASSEMBLY INSTRUCTIONS

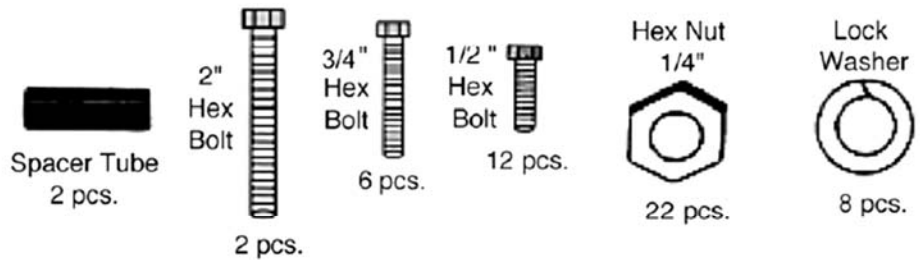
PORTABLE TABLE TOP GRILL

PARTS LIST AND TOOLS REQUIRED

(Tools Not Included)



Note: Hardware bag may contain extras.



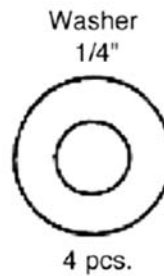
Front Handle
1 pc.



Drawer Handle
1 pc.



Large Side Handle
2 pcs.



Washer
1/4"
4 pcs.



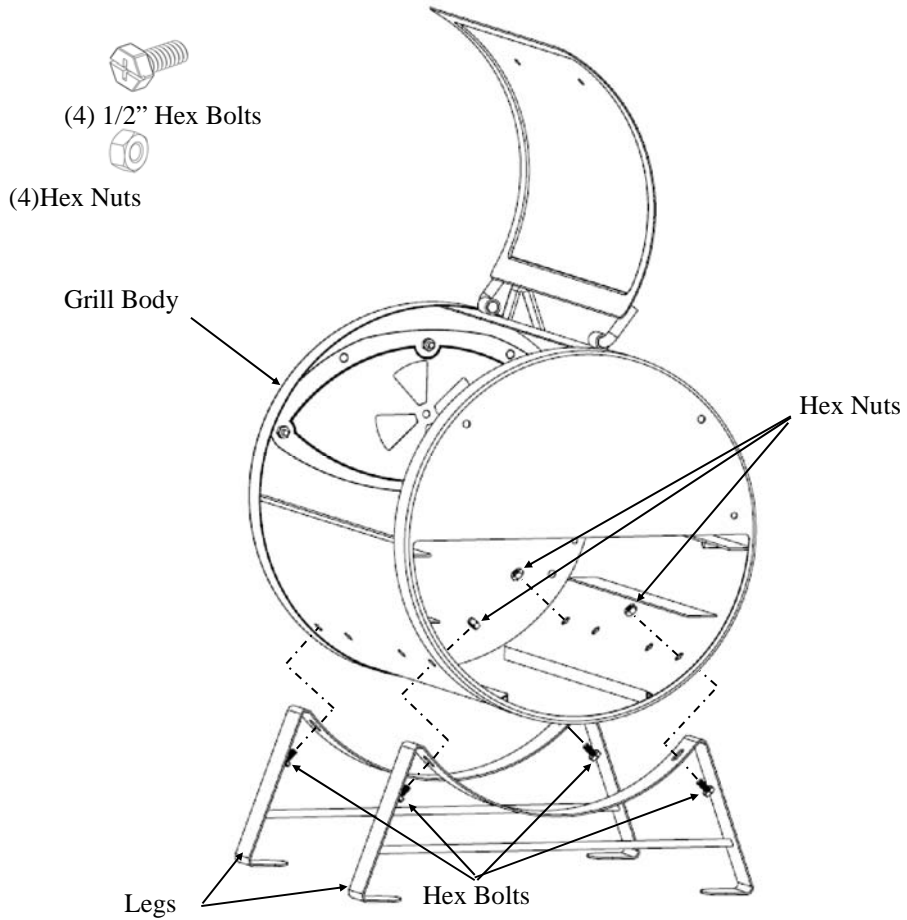
Damper Circle
2 pcs.

Parts List:

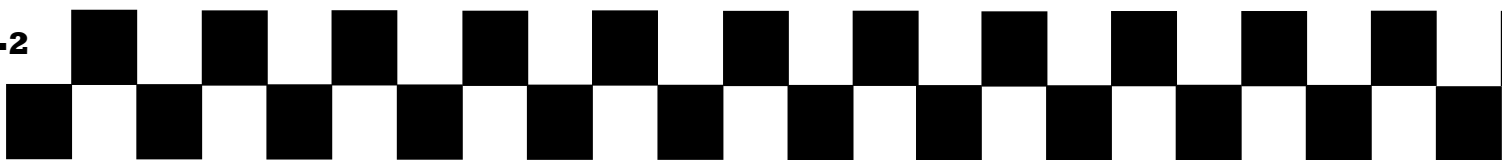
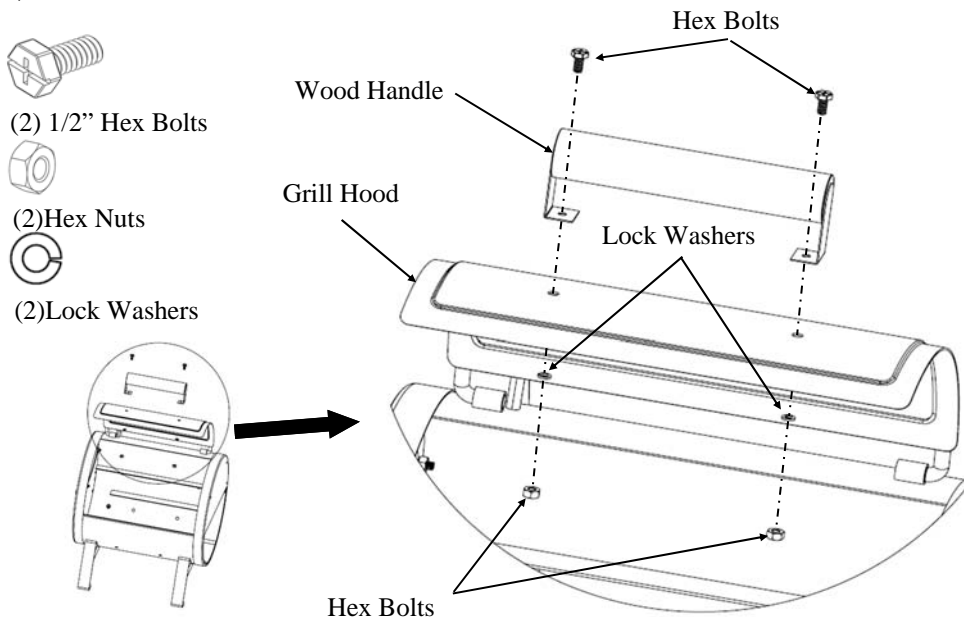
- 1 Cooking Chamber
- 2 Damper Circle
- 2 Cast Iron Grates
- 2 Metal rod handle
- 1 Wood handle
- 1 Wire rack (for wood)
- 1 Side Drawer / Ash pan / Fire grate
- 1 Cast Iron Lifter



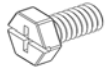
Step 1: Attach LEGS to GRILL BODY with four 1/2" HEX BOLTS and four HEX NUTS, see below.



Step 2: Attach WOOD HANDLE to GRILL HOOD with two HEX BOLTS, two LOCK WASHERS, and two HEX NUTS, see below.



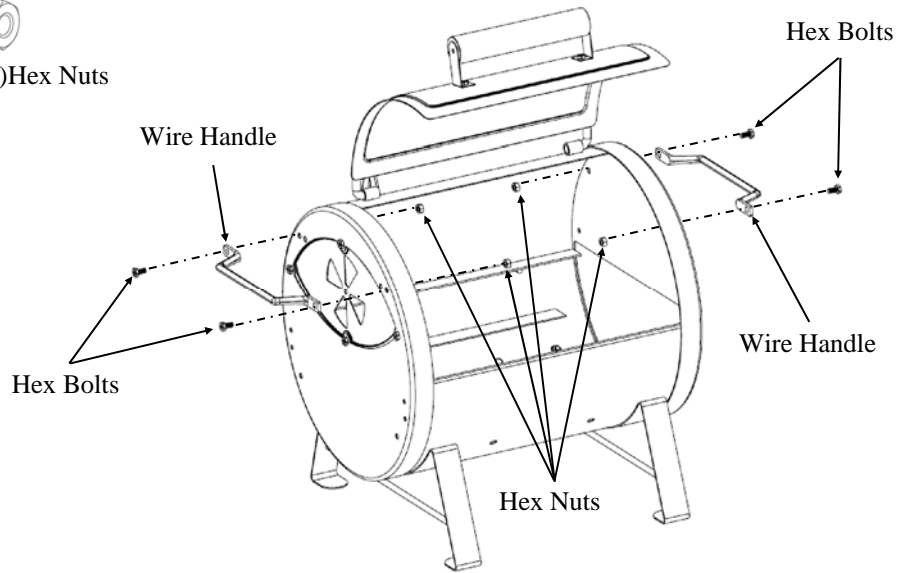
Step 3: Attach WIRE HANDLE to GRILL BODY with four HEX BOLTS and four HEX NUTS, see below.



(4) 1/2" Hex Bolts



(4) Hex Nuts



Step 4: Attach DAMPER CIRCLE to GRILL BODY with one 3/4" HEX BOLTS, one FLAT WASHER, one LOCK WASHER, and one HEX NUT.



(1) 3/4" Hex Bolt



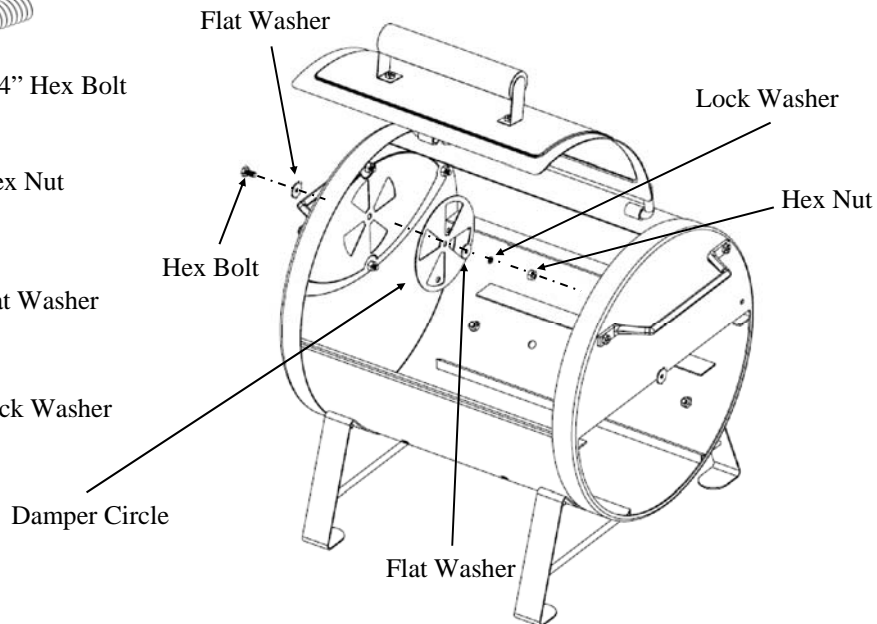
(1) Hex Nut



(2) Flat Washer

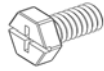


(1) Lock Washer





Step 5: Attach DAMPER CIRCLE to the ASH DRAWER with 3/4" HEX BOLT, FLAT WASHER, LOCK WASHER, and HEX NUT, see below.



(1) 3/4" Hex Bolt



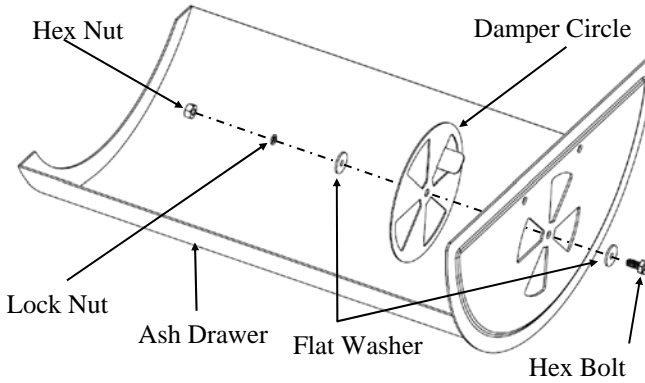
(1) Hex Nut



(2) Flat Washer



(1) Lock Washer



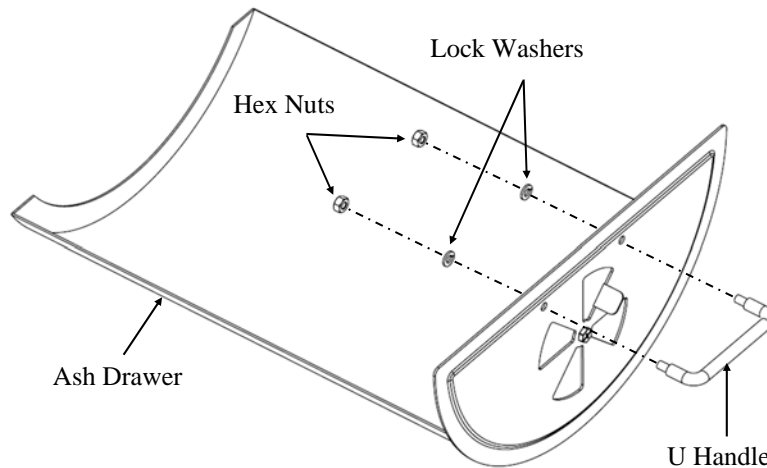
Step 6: Attach U HANDLE to ASH DRAWER with two LOCK WASHERS and two HEX NUTS.



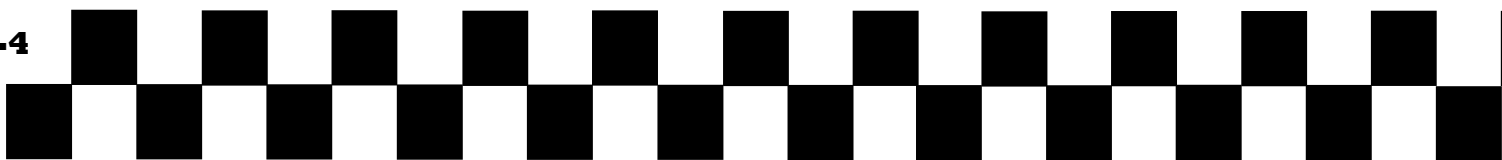
(2) Lock Washers



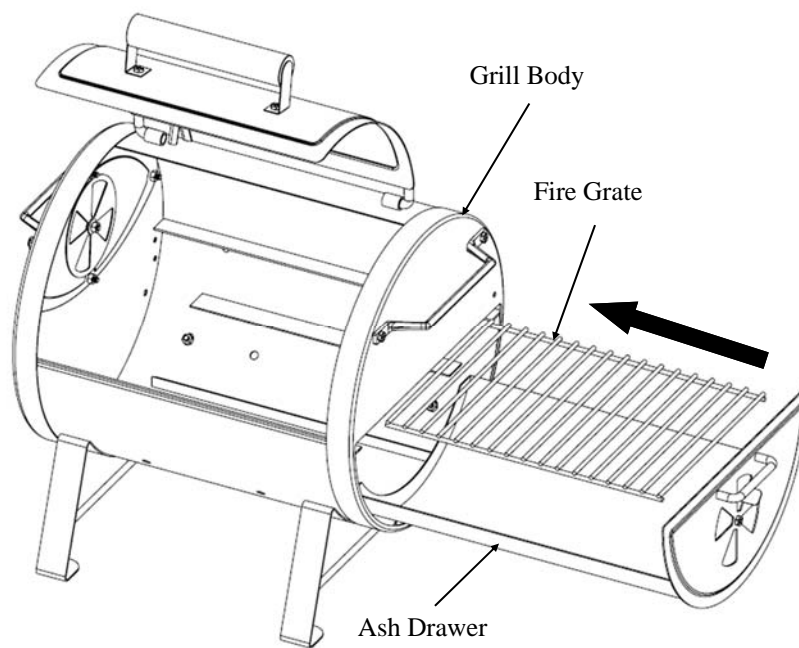
(2) Hex Nuts



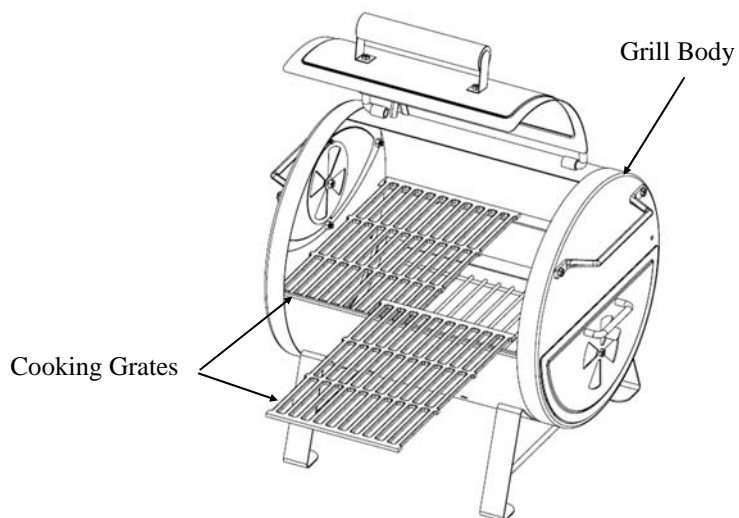
Step 7: Tighten ALL BOLTS and NUTS. Insert a 1/2" BOLT and tighten with a NUT for any open holes in Grill BODY after assembly.



Step 8: Place FIRE GRATE onto ASH DRAWER then slides it into GRILL BODY.



Step 9: Place COOKING GRATES onto the GRILL BODY.





ASSEMBLY INSTRUCTIONS

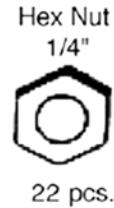
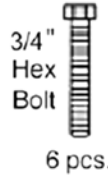
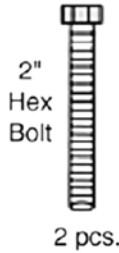
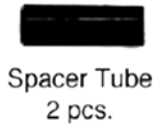
SIDE FIRE BOX

PARTS LIST AND TOOLS REQUIRED
(Tools Not Included)

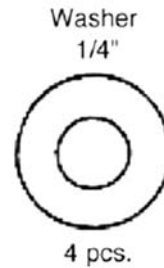


**HARDWARE
USED
WITH YOUR
CHAR-GRILLER**

Note: Hardware bag may contain extras.

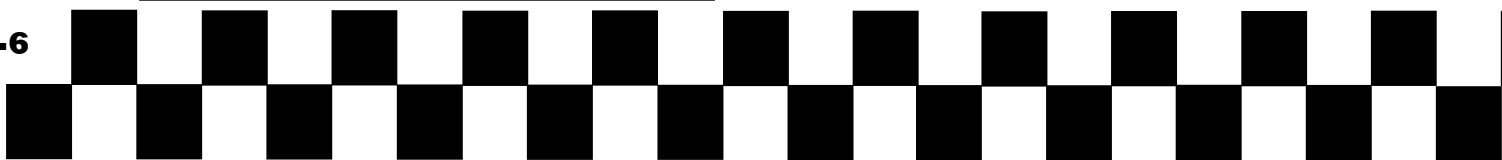


Front Handle
1 pc.

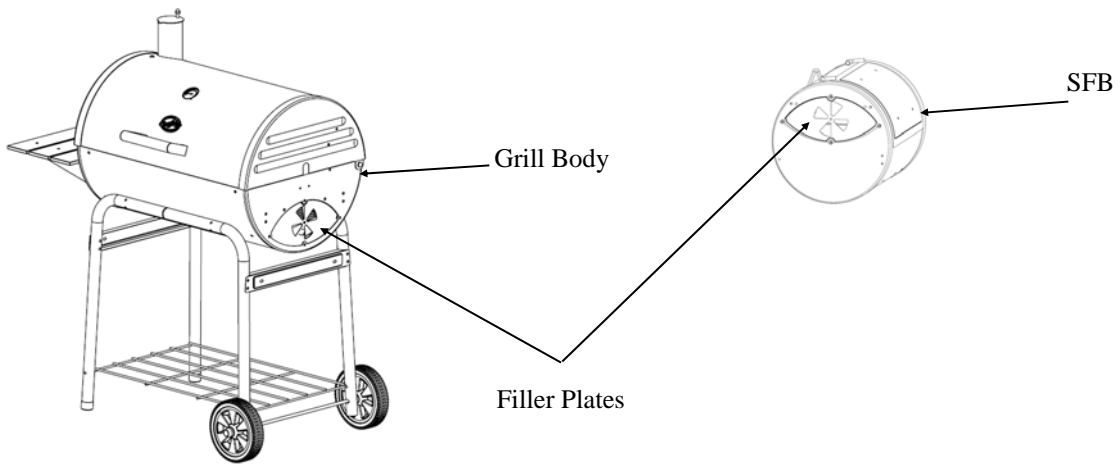


Parts List::

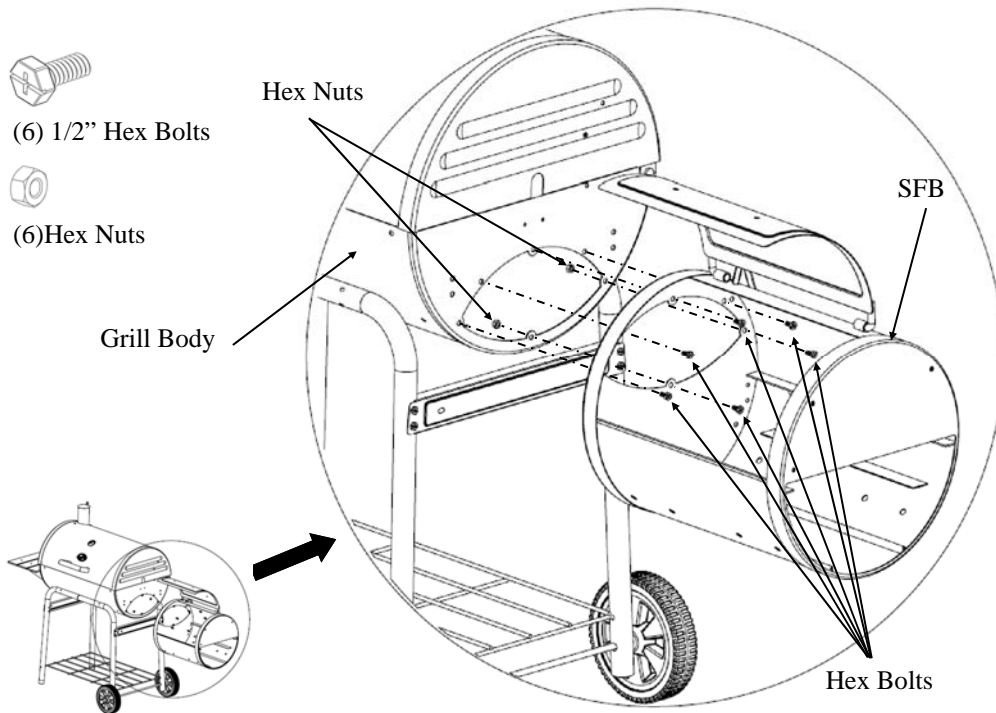
- 1 Cooking Chamber
- 2 Damper Circle
- 2 Cast Iron Grates
- 2 Metal rod handle
- 1 Wood handle
- 1 Wire rack (for wood)
- 1 Side Drawer / Ash pan / Fire grate
- 1 Cast Iron Lifter



Step 1: Remove the FILLER PLATES from the SFB and main GRILL BODY that you plan to install the SFB onto.

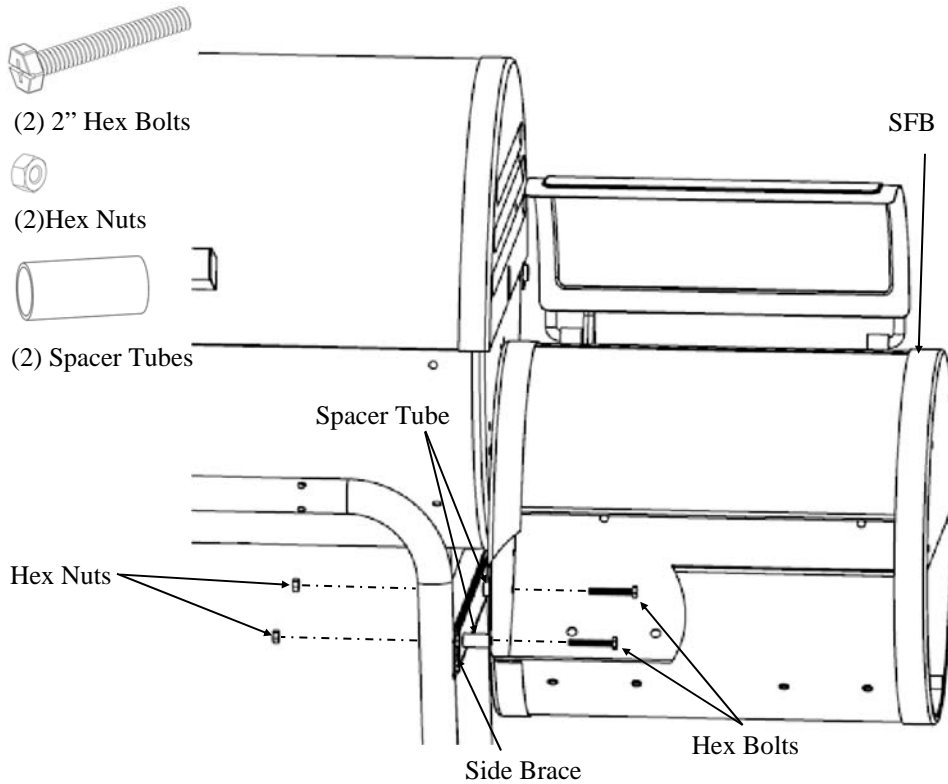


Step 2: Attach SFB to main GRILL BODY. With a helper align the SFB in place over the opening on the grill body then attach with six 1/2" BOLTS and NUTS.

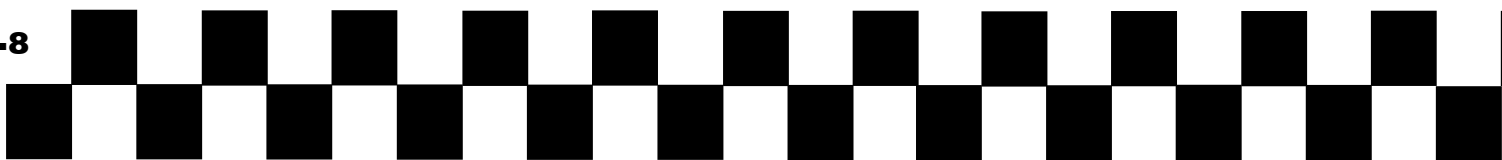
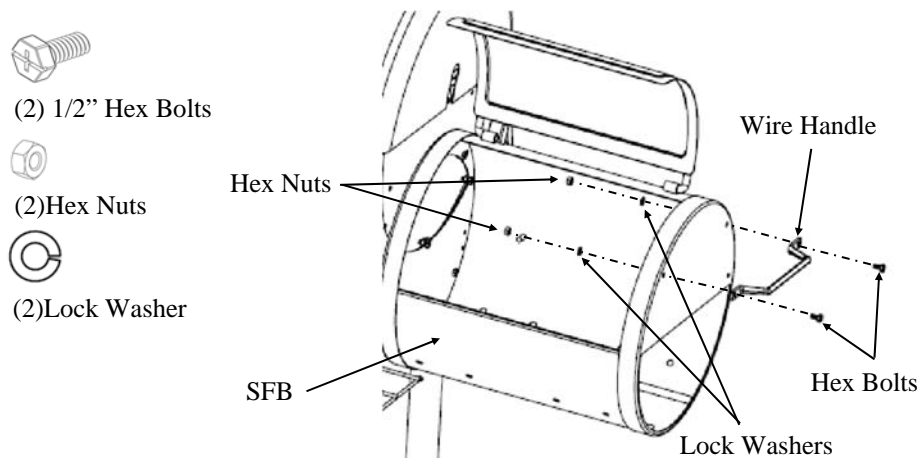




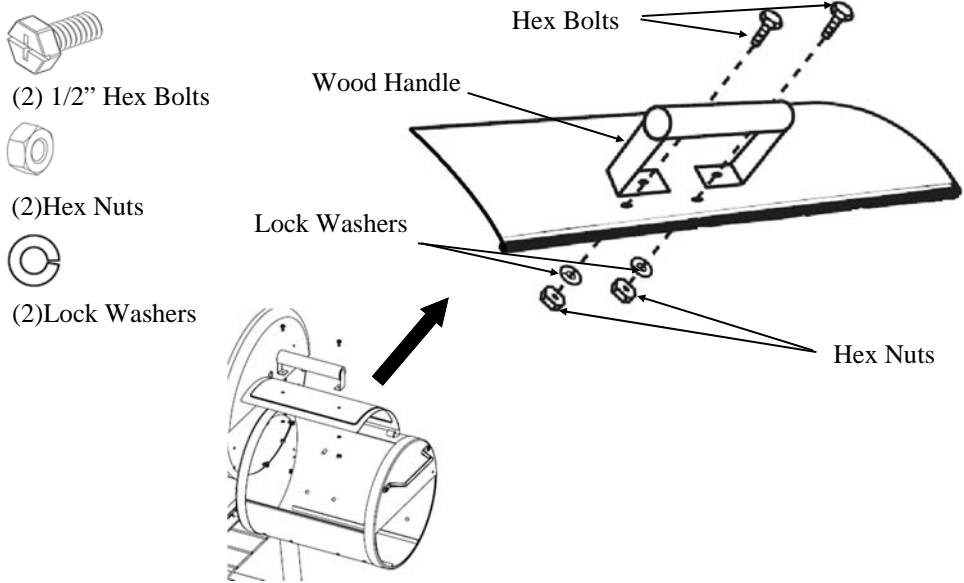
Step 3: Attach SPACER TUBES in between SFB and side braces and secure with two 2" HEX BOLTS and HEX NUTS. The HEX BOLTS should go through from the SFB side, see below. Align the SPACER TUBES with the corresponding holes on the leg brace and SFB. Insert the 2" HEX BOLT through the SFB then through the SPACER TUBE, and finally through the leg brace. Then secure the HEX BOLT with the HEX NUT.



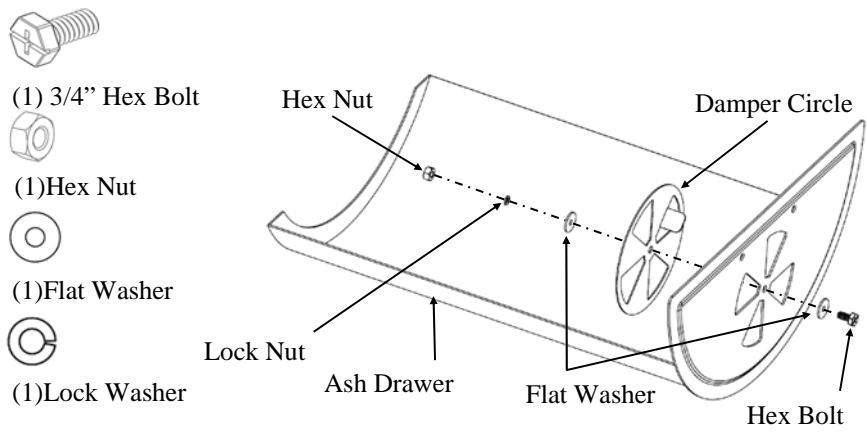
Step 4: Attach the WIRE HANDLE to the SFB right side with two 1/2" HEX BOLTS, two LOCK WASHERS, and two HEX NUTS, see below.



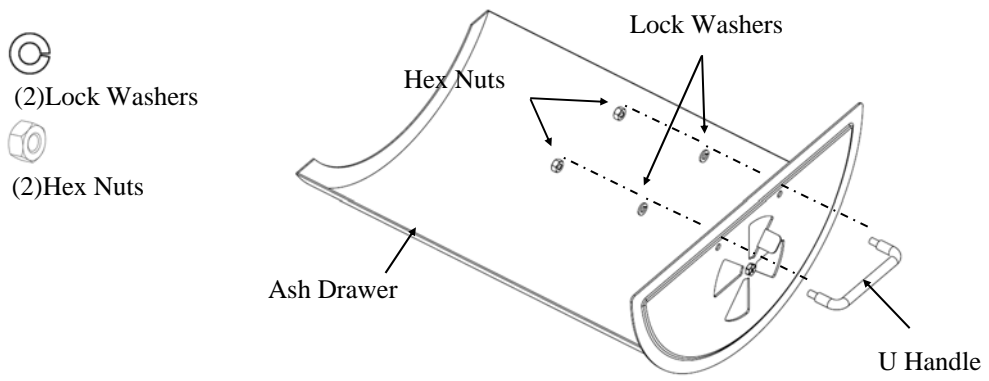
Step 5: Attach WOOD HANDLE to SFB HOOD with two 1/2" HEX BOLTS, two LOCK WASHERS, and two HEX NUTS.



Step 6: Attach DAMPER CIRCLE to the ASH DRAWER with 3/4" HEX BOLT, FLAT WASHER, LOCK WASHER, and HEX NUT, see below.



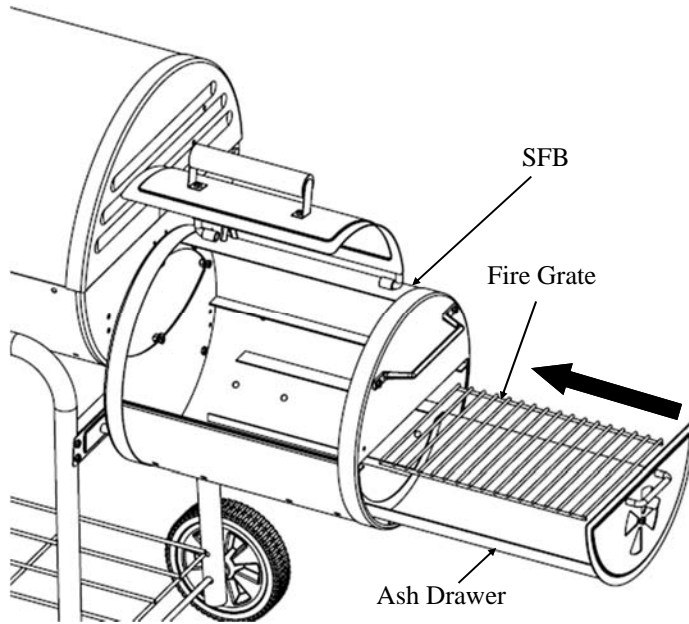
Step 7: Attach U HANDLE to ASH DRAWER with two LOCK WASHERS and two HEX NUTS.



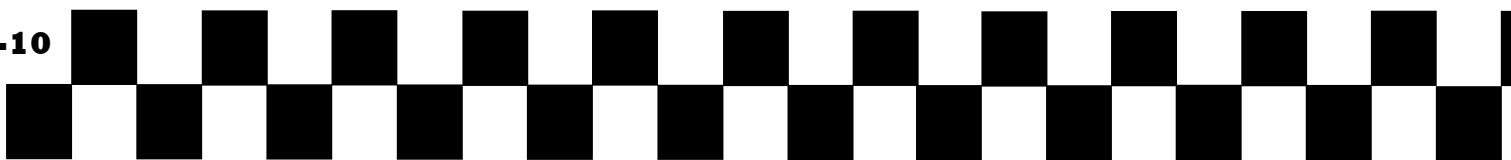
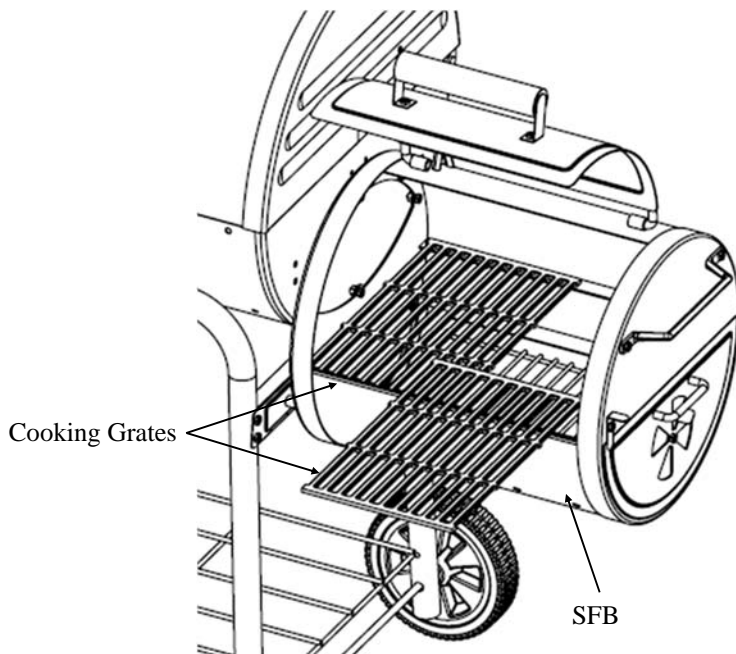


Step 8: Tighten ALL BOLTS and NUTS. Insert a 1/2" BOLT and tighten with a NUT for any open holes in Grill BODY after assembly.

Step 9: Place FIRE GRATE onto ASH DRAWER then slides it into SFB.



Step 10: Place COOKING GRATES onto SFB.



OPERATING INSTRUCTIONS

Setting Up

Set grill up on solid, flat surface with adequate wind shelter. Do not move grill while hot, and do not leave unattended during operation.

This appliance is designed for use outdoors, away from any flammable materials. It is important that there are no overhead obstructions and that there is a minimum distance of 3 feet (90cm) from the side or rear of the appliance. It is important that the ventilation openings of the appliance are not obstructed. The barbecue must be used on a level, stable surface. The appliance should be protected from direct drafts and positioned or protected against direct penetration by any trickling water (e.g. rain).

**** PLEASE NOTE: NO RETURNS ON USED GRILLS ****

Seasoning and Preparing the Grill

IMPORTANT! BEFORE YOU USE YOUR GRILL FOR THE FIRST TIME YOU MUST SEASON THE CAST IRON COOKING GRATE(S).

Cure grill prior to your initial use to protect the interior and exterior finish, cooking grates, and to prevent unnatural flavors to your first meals.

1. Lightly coat ALL INTERIOR SURFACES (including grills, grates, and inside of barrel.) with vegetable oil (spray vegetable oil is easiest but do not use near hot coals or fire).
2. Build a medium sized fire on the **fire grate**. Always put charcoal on top of the fire grate and not directly into the bottom of the grill.
3. After coals ash over, spread out coals, replace cooking grates, close lid and heat at approximately 250 F for two hours.
4. Remove grates from the grill with oven mitts, allow to cool, then re-coat grates and return to grill at approximately 200° F for two hours.
5. You can lightly coat the exterior of the grill body (while warm) with vegetable oil. This will extend the life of the finish, much like waxing a car. Your grill is now ready for use.

NOTE: Grill will drip oil during this process and for several uses afterwards. This is normal.

NEVER EXCEED 400°F BECAUSE THIS WILL DAMAGE THE FINISH AND CONTRIBUTE TO RUST. PAINT IS NOT WARRANTED AND WILL REQUIRE TOUCH-UP. THIS UNIT IS NOT WARRANTED AGAINST RUST.



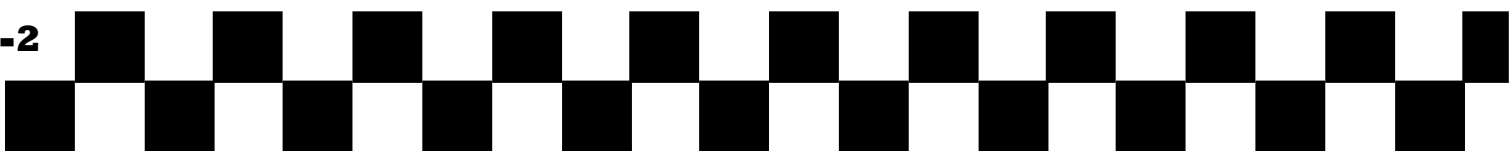
Lighting Instructions

1. To start a charcoal fire, stack 15 or so briquettes in a pyramid and saturate with lighter fluid.
NOTE: Do not use gasoline, kerosene or alcohol for lighting charcoal. Use of any of these or similar products could cause an explosion possibly leading to severe bodily injury.
2. Light coals in several places
3. After briquettes ash over or turn gray, spread them out and start cooking
4. If one end burns faster, use tongs to move coals from one end to the other for even heat.

Grill Operation & Tips

- Control heat with amount and type of fuel, Dual dampers, and adjustable fire grate. Adjust grate one end at a time. Wood burns hotter than coals. More airflow is more heat.
- To reduce flare-ups, cook with lid in the down position.
- Add water soaked hardwood chips for a smoked flavor.
- Ashes left in bottom too long hold moisture and will rust through any thickness of steel. This grill is made of steel and cast iron, which WILL RUST, ESPECIALLY IF NOT PROPERLY CARED FOR.
- Do not use self-starting charcoal as it will give unnatural flavor. Burn lighter fluid completely before closing lid.
- After each use, coat vegetable oil on the interior grates and bare metal while warm to reduce rust
- On the EXTERIOR, remove dust with wire brush and touch up with a high heat paint, available at most hardware/auto stores.
- You may place a coffee can on bottom shelf under the hole in the grill to catch drippings.
- Heat gauge may obtain moisture, which will steam out during cooking. Gauge can be removed and calibrated in oven.
- You may fill unwanted holes with Nuts & Bolts (Not Provided).

NOTE: Smoke may escape from areas other than the smokestack. This should not affect cooking.



Finishing Up

When you are finished grilling you can shut down your grill by closing both dampers and allowing the fire to suffocate. Be patient. This may take an hour or more.

Emptying the Ashes & Ash Pan:

**** ONLY EMPTY ASHES WHILE GRILL IS NOT IN USE ****

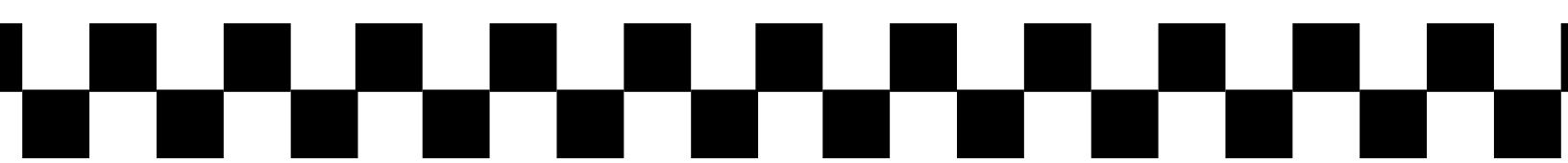
After the fire is completely extinguished you should wait several hours before emptying the ashes to ensure they are not still hot and a burn hazard.

1. Knock any ashes that did not fall into the ash pan from the fire grate. (If there are pieces of partially burned charcoal on the fire grate you can save them for next time. They are still good).
2. Tap the sides of the fire bowl to knock loose any ash that is on the sides.
3. Unclip the ash pan from the bottom of the grill and slide out towards the front.
4. Give the ash pan a few firm taps to loosen any ash that may be stuck.
5. Place the ashes in a metal container and cover with water to ensure there are no lit coals then you can dispose of the ashes.

IMPORTANT: Charcoal is porous and holds moisture. DO NOT leave charcoal in your grill while you are not using it. Charcoal and ashes left inside the ash pan may reduce the life of your grill.



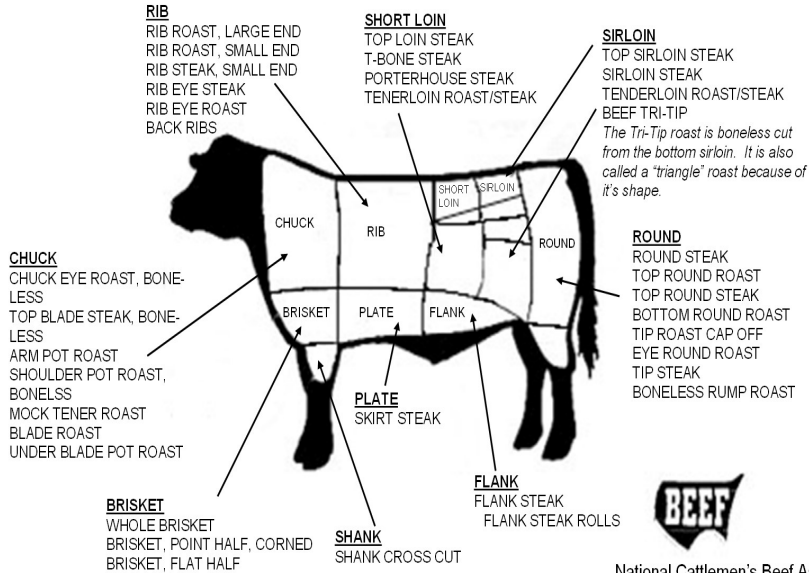
**This Page Intentionally
Left Blank**



GRILLING RECIPES

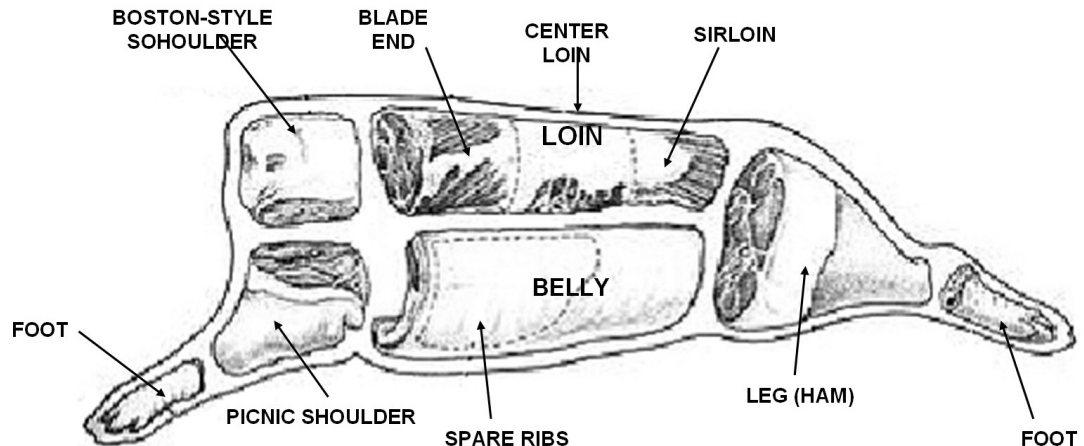
Know Your Cuts of Meat

BEEF CUTS



National Cattlemen's Beef Association
444 North Michigan Avenue
Chicago, Illinois 60611
(312) 467-5520

PORK CUTS





Direct Heat

- **Direct Heat is a high heat method used to cook foods that take less than 25 minutes to cook. Typically, this means foods that are relatively small or thin such as steaks, chops, boneless chicken breasts, fish fillets, hamburgers, etc.**
- **Cooking with a MEAT THERMOMETER ensures food is fully cooked. Insert into the thickest part not touching bone, and allow five minutes to register.**
- **Internal temperatures for FOWL should be 170°F to 180°F.**
- **Internal temperature for meat should be 140°F for rare, 160°F medium, and 170°F for well done.**

STEAK (& ALL MEATS):

- Cook food on the charcoal side of the unit, directly above coals/heat.
- To grill meats, raise fire grate to high position (hot) and sear for one minute on each side with the lid open to seal in flavor and juices. Then lower fire grate to medium position with lid closed and cook to desired doneness.
- Control heat with dual dampers and adjustable fire grate.

Tip: Place grilled meat back in the marinade for several minutes before serving – it will become tastier and juicier.

CAUTION: Boil extra marinade first to kill bacteria remaining from the raw meat.

MARINATED FLANK STEAK:

- Mix marinade ingredients in nonmetal dish.
- Let steak stand in marinade for no less than 4 hours in refrigerator.
- Brown each side for 5 minutes, but center should remain rare.
- Cut steak diagonally across the grain into thin slices before serving.
- Grill with fire grate in high (hot) position with lid open or closed.

Meat Marinade

1/2 cup vegetable or olive oil
1/3 cup soy sauce
1/4 cup red wine vinegar
2 tbsp lemon juice
1 tsp dry mustard
1 minced clove garlic
1 small minced onion
1/4 tsp pepper

QUAIL OR DOVES:

- Cover birds in Italian dressing (Good Seasons or Kraft Zesty) and marinate overnight.
- Pour remaining dressing and cover with Texas Pete Hot Sauce for 6 hours.
- Wrap birds in thick bacon secured by a toothpick.
- Place on grill. Keep turning until bacon is black.

- Grill for 20 minutes. Sear with lid open and fire grate in high (hot) position for 1 minute on each side before lowering grate and closing lid.
- To SMOKE, place birds in center of GRID with fire in both ends of FIRE BOX.

KABOBS:

- Alternating on skewers any combination of meat, onions, tomatoes, green peppers, mushrooms, zucchini, circular slice of corn-on-the-cob, or pineapple. Meat could consist of chunks of shrimp, scallops, lobster, chicken, sausage, pork, beef, etc.
- Marinate the meat in refrigerator for several hours.
- Grill each side approximately 7 minutes turning occasionally while basting with marinade. Leave a small amount of room between pieces in order to cook faster.
- Grill with lid up and the fire grate in the lowest position. See marinade recipe on last page.

Kabob Marinade:

1 cup soy sauce
 ½ cup brown sugar
 ½ cup vinegar
 ½ cup pineapple juice
 2 tsp salt
 ½ tsp garlic powder

- Mix all ingredients in a saucepan and bring to boil.
- Allow marinade to cool before marinating your meat in it.
- Marinate beef in mixture a minimum of 4 hours.

HOT DOGS:

- Grill with lid up and fire grate in high (hot) position for approximately 6 minutes.
- Turn every few minutes.

HAMBURGERS:

See Meat Marinade on prior pages.

You may also marinate by allowing to stand in marinade for 1 or 2 hours at room temperature before cooking, or let stand in covered dish in refrigerator up to 24 hours.

- Bring to room temperature before cooking.
- Mix in chopped onions, green peppers, salt, sear ¾ inch patties on each side with fire grate in high position for a few minutes.
- Lower fire grate to medium position and grill with lid down to avoid flare-ups.
- Cook each side 3 to 7 minutes according to desired doneness.
- Cook ground meat to 150 internally or until juice runs clear (free of blood) for prevention of E-coli.
- Burgers can be basted with marinade when turning and/or other ingredients can be mixed in with the ground beef such as chili sauce or powder.



SHRIMP (Peeled) & CRAYFISH:

- Place on skewers.
- Coat with melted butter and garlic salt.
- Grill 4 minutes on each side or until pink. Cocktail sauce optional.

BAKED POTATOES:

- Rub with butter and wrap in foil and cook on grill with lid down for 50 minutes.
- Turn after 25 minutes (no need to turn if smoked).
- Squeeze to check for doneness.

SWEET CORN IN HUSKS:

- Trim excess silk from end and soak in cold salted water 1 hour before grilling.
- Grill 25 minutes – turning several times.

SMOKING RECIPES

Indirect Heat

SMOKING TIMES



Food	Weight	Water Pan Smokin'	Side Fire Box	Temperature on Meat Thermometer
Beef Roasts, Beef Brisket	3 – 4 lbs.	1 – 1½ hours	4 – 5 hours	140° rare
Lamb Roasts, Venison	5 – 7 lbs.	1¾ – 2½ hours	5 – 6 hours	160° medium
Large cuts of Game	7 – 9 lbs.	2½ – 3½ hours	7 – 10 hours	170° well done
Pork Roasts	3 – 4 lbs. 5 – 8 lbs.	1¾ – 2½ hours 2½ – 3 hours	5 – 6 hours 7 – 8 hours	170° 170°
Pork/ Beef Ribs	Full grill	1½ – 2 hours	4 – 6 hours	Meat pulls from bone
Pork Chops	Full grill	¾ – 1¼ hour	4 – 6 hours	Meat pulls from bone
Sausage Links	Full grill	2 – 2¾ hours	4 – 5 hours	170° for fresh sausage
Ham, Fresh	10 lbs.	3 – 4 hours	7 – 8 hours	170°
Ham, Cooked	All sizes	1½ – 2 hours	3 – 4 hours	130°
Chicken (Cut up or split)	1-4 fryers, cut up or split	1 – 1¼ hours	4 – 5 hours	180° / leg moves easily in joint
Chicken (Whole)	1-4 fryers	1¼ – 1½ hour	5 – 6 hours	180° / leg moves easily in joint
Turkey (Unstuffed)	8 – 12 lbs.	1¾ – 2½ hours	7 – 8 hours	180° / leg moves easily in joint
Fish, small whole	Full grill	½ – ¾ hours	2 – 3 hours	Flakes with fork
Fish, filets, steak	Full grill	¼ – ½ hours	1 – 3 hours	Flakes with fork
Duck	3 – 5 lbs.	1 – 1¾ hours	5 – 6 hours	180° / leg moves easily in joint
Small game birds	Full grill	¾ – 1 hour	4 – 5 hours	180° / leg moves easily in joint

Pan not included. Disposable bread pan is recommended. SMOKE BY COOKING SLOWLY (See chart above).

1. Place water/drip pan on left side of fire grate.
 2. Place hot coals on right side (damper end) of fire grate. The charcoal basket accessory helps confine coals to one side.
 3. Place meat above water pan.
 4. Place fire grate in low position.
 5. Close lid & control heat with dampers & adjustable grate.
- You may want to sear certain foods before smoking by placing meat directly above coals with LID open and FIRE GRATE in high (hot) position for several minutes. Add flavor soaked wood chips to the fire and add 1 part marinade, beer, or wine to 3 parts water to the drip pan.
 - OPENING THE SMOKING CHAMBER WILL EXTEND COOKING TIME. Cooking with meat thermometer ensures food is fully cooked. Insert thermometer into thickest part not touching bone, and allow five minutes to register. Internal temperature for birds should be 170°F to 180°F or when leg moves easily in joint. Meat should be cooked to internal temperature of 140°F for rare, 160°F for medium and 170°F for well done. Check the water level when cooking more than 4 hours or when you can't hear the water simmering. Add water by moving meat over and pouring water through GRILL into WATER PAN.
 - IF THE SMOKE IS WHITE, THE FIRE'S RIGHT. IF THE SMOKE IS BLACK, ADD SOME DRAFT.

SMOKED TURKEY:

- Empty cavity rinse and pat dry with paper towel.
- Tuck wing tips under the back and tie legs together.
- Place in center of cooking grid directly above foil drip pan of water.
- Smoke for 12 minutes per pound. Allow several extra minutes per pound if stuffed to allow for expansion.
- Use a meat thermometer for best results (190F internal).

SMOKED BAKED HAM:

You can smoke fully cooked canned ham or smoked and cured whole ham or shank or butt portion.

Glaze

1 cup of light brown sugar, firmly packed
1/2 cup orange juice
1/2 cup honey

- Combine sugar, juice and honey. Let glaze sit for at least 4 hours.
- Place fire grate in the lowest position and a drip pan under the meat.
- Remove rind and score fat diagonally to give a diamond effect.
- Insert a whole clove into the center of every diamond.
- Place ham with fat side up in center of cooking grid directly above drip pan. Close lid.
- About 9 minutes per pound is suggested for fully cooked hams. Smoked or cured ham, which is not fully cooked, should be cooked to an internal temperature of 160°F.



- Baste with ham glaze 3 or 4 times during last 30 minutes of cooking time.
- Garnish with pineapple rings about 15 minutes before end of cooking time.

SMOKED HOT DOGS STUFFED:

- Slit hot dogs lengthwise, within 1/4 inch of each end.
- Stuff hot dogs with cheese and relish and wrap in bacon.
- Place on cooking grid over drip pan and smoke 15-20 minutes or until bacon is crisp.

SMOKED CHICKEN PARTS AND HALVES:

- Rinse pieces in cold water and pat dry with paper towels.
- Brush each piece with vegetable oil and season to taste with salt and pepper.
- Brown pieces directly above coals with lid open and grate in high or medium position for several minutes.
- Then place pieces on cooking grate directly above drip pan.
- With the grate in the low position, cook with lid down for 55 to 60 minutes or until done. Do not use vegetable oil or salt and pepper if using marinade.

SMOKED VENISON:

Venison Marinade:

- 1 cup Balsamic or wine vinegar
- 1 cup olive oil
- 2 oz. Worcestershire
- 1/2 oz. Tabasco
- 2 tbsp. Season All
- 1-2 chopped jalapenos
- 3 oz. soy sauce

Bacon Marinade

- 2 oz. wine vinegar
- 2 oz. Worcestershire
- 4 dashes Tabasco

- Place leg of venison in a container or “hefty bag” and marinate for 2-4 days, turning daily. Marinate bacon overnight in its marinade.
- Remove roast from refrigerator at least an hour before cooking.
- Season generously with seasoned salt and coarse ground black pepper.
- Wrap 1 lb. Bacon over the top of the roast, and smoke 20/25 minutes per pound, or until tender. Do not overcook.

SMOKED SHRIMP & CRAYFISH:

- Mix in a foil pan 1/2 cup butter, two cloves of crushed garlic, Tabasco, sliced green pepper, 1 tablespoon each of minced onions, salt and juices from one lemon.

- Add shrimp and/ or crayfish and smoke 45 minutes.

SMOKED VEGETABLES:

- Turnips, potatoes, carrots, okra, mushrooms, peeled onions, zucchini, squash, etc.
- Put in pan and cover with water and cook for several hours while cooking the meat. Or place vegetables on grill and smoke for 50 minutes, either wrapped in foil or not.

SMOKED FISH:

- Marinate in brine (1/4 cup dissolved in 1 qt of water) or marinate fish in 1 cup white wine, 1 cup soy sauce mixed with 1 cup lemon juice.
- Marinate overnight in covered dish in refrigerator.
- Let air on rack 20 minutes before placing on Pam-sprayed grill.
- Smoke 25 minutes.

SMOKED SPARE/BACK RIBS:

- Peel off tough layer of skin on back side.
- Rub all surfaces with seasoning.
- Place ribs in center of grid above drip pan and smoke approximately 1 1/2 hours or until meat pulls away from bone.
- Baste with barbecue sauce during last 30 minutes.

CHICKEN MARINADE:

Combine

1/2 cup soy sauce
1/4 cup vegetable oil
1/4 cup red wine vinegar
1 teaspoon oregano
1/2 teaspoon sweet basil
1/2 teaspoon garlic powder with parsley
1/4 teaspoon pepper

- Pour over chicken pieces in non-metal dish
- Cover and refrigerate overnight, turning occasionally. Use marinade to baste chicken while cooking.

MEAT MARINADE: (For steaks, chops, and burgers)

Combine

1/4 cup soy sauce
2 coarsely chopped large onions
2 cloves garlic (halved)

- Combine ingredients in an electric blender, cover, and process at high speed 1 minute or until



mixture is very smooth.

- Stir in 1/4 cup bottle gravy coloring (Kitchen Bouquet and Gravy Master) and 2 teaspoons Beau Monde seasoning (or substitute 1 teaspoon MSG and 1 teaspoon seasoned salt).
- Allow meat to stand in marinade at room temperature for 2 hours or refrigerate up to 24 hours in a covered dish.
- Bring meat to room temperature before cooking.

SHISH KABOB MARINADE:

Mix

- 1 cup soy sauce
- 1/2 cup brown sugar
- 1/2 cup vinegar
- 1/2 cup pineapple juice
- 2 teaspoons salt
- 1/2 teaspoon garlic powder

- Mix ingredients and bring to a boil.
- Marinate beef in mixture a minimum of 4 hours.

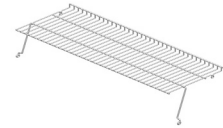
ACCESSORIES

Cover Custom Fit

Weather Resistant
Protects Grill Finish
Cover Accommodates Side
Shelf or Side Fire Box

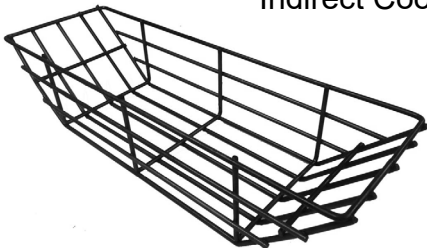


Warming Rack
Increase Grill Area
Keeps Food Warm



Charcoal Basket

Confines Coals to One
Side for Smoking
Indirect Cooking



Rotisserie

Excellent for Effortless Grilling
Universal Fit for Any Grill



Quick Release Chimney Starter

E-Z starter with patented
Trigger release
ABS handle with heat shield
Zinc coated galvanized steel
Makes starting charcoal grill
fast and easy

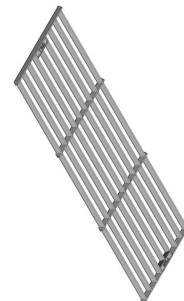


Apron

Machine Washable
Two Front Pockets
Adjustable Straps



Cast-Iron Grates
Heavy-duty Durability
Authentic BBQ Flavor
Non-Warp Design



For pricing or to order accessories visit:

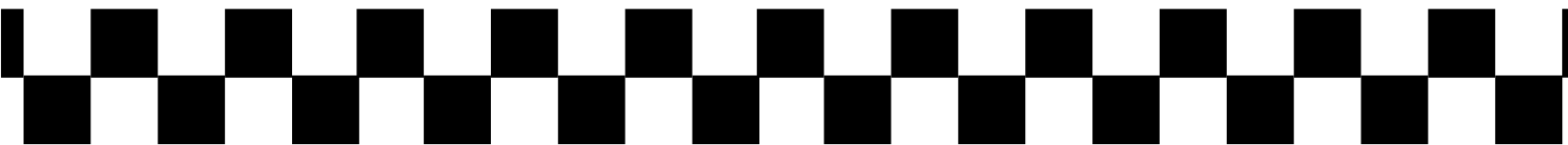
www.CharGriller.com

OR

CALL: 912-638-4724



P.O. Box 30864
Sea Island, GA 31561
912-638-4724
www.CharGriller.com
Service@CharGriller.com



MANUAL DEL USUARIO



Table Top OR Side Fire Box

Modelo #22424

- FUERA DE EE.UU. -

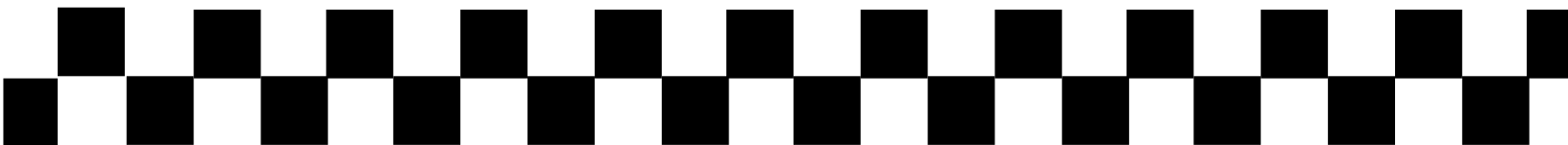
**DEVOLVER A LA TIENDA PARA CUALQUI-
ER PREGUNTA O DUDAS SOBRE ESTE
PRODUCTO**

Lo contenido en este manual es Marca Registrada y Propiedad con Derechos de Autor de Char-Griller | A&J Manufacturing. Está terminantemente prohibido utilizar la información suministrada en este manual sin el consentimiento de Char-Griller y/o A&J Manufacturing



TABLA DE CONTENIDO

Advertencias De Seguridad.....	A-1
Instrucciones de Ensamblado.....	B-1
Instrucciones Operativas	C-1
Recetas Para La Parrilla	D-1
Accesorios	E-1



¡Felicitaciones por tu compra de este producto **Char-Griller®!**

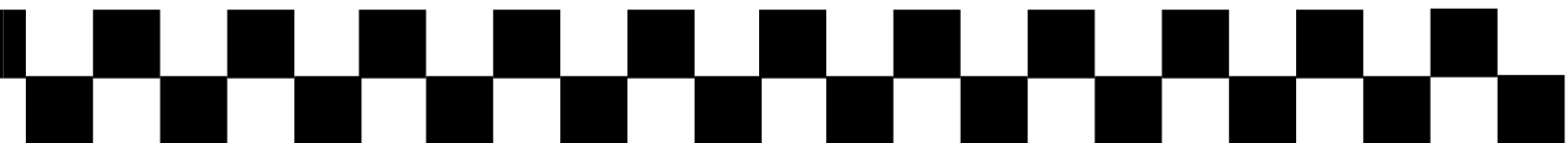
Has comprado un producto que puede ser utilizado COMO una Parrillera a Carbón Portable y de Mesa O como una Parrillera lateral montable a una parrillera tipo barril de Char-Griller.

Las instrucciones de ensamblado para ser utilizada como una **Parrillera Portable** y de Mesa pueden ser encontradas en la página 3.



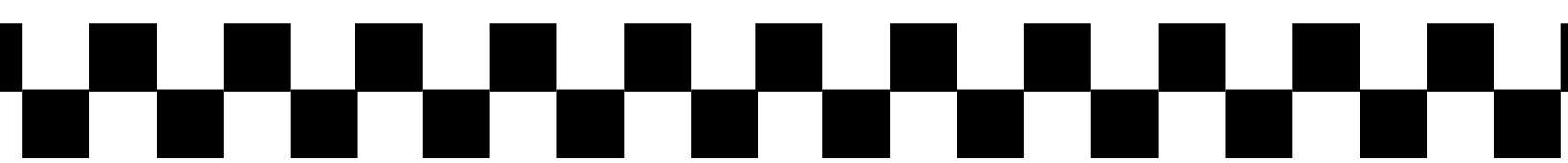
Las instrucciones de ensamblado para ser utilizada como una **Parrillera Lateral** pueden ser encontradas en la página 7.

¡Esta aplicación convierte tu parrillera tipo barril existente en una ahumadero al estilo tejano!





**Esta Página Ha Sido
Intencionalmente Ha Dejado
En Blanco**



¡PARE! ¡LLAME PRIMERO A



NO Devuelva el Producto a la Tienda.

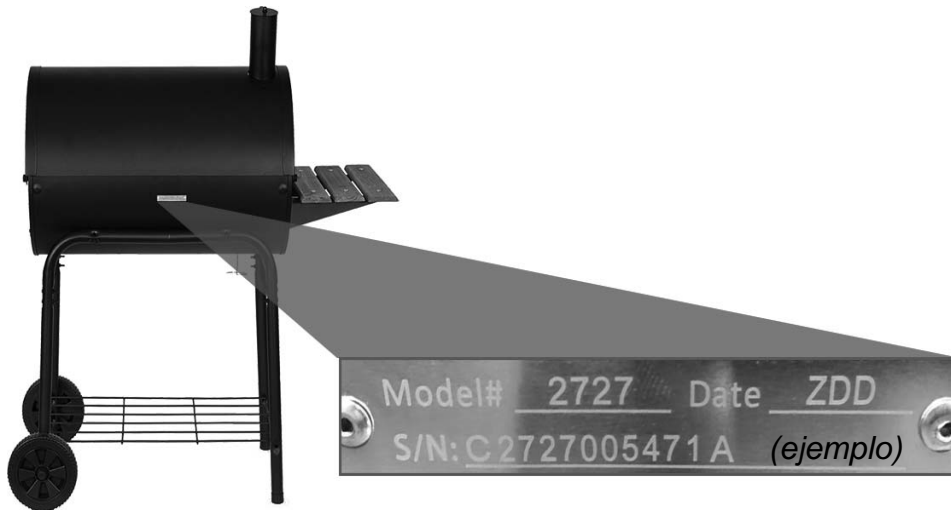
Este producto ha sido construido bajo los más altos estándares de calidad. Si tiene alguna pregunta que no ha sido respondida en estas instrucciones, o si necesita alguna pieza o repuesto, por favor llame a nuestro Departamento de Atención al Cliente al 1-912-638-4724 (EE.UU.), o envíenos un correo electrónico a: Service@Char-Griller.com; tenga el número de serial de su parrillera al alcance.

Documente el Número de Serial y Modelo de su Parrillera AQUÍ:

(El número de modelo y serial se encuentran en la parte trasera del cuerpo de la parrillera o en la pata.)

(NÚMERO DE MODELO)

(NÚMERO DE SERIAL o S/N)



AVISO IMPORTANTE: Lea cuidadosamente todas las instrucciones previo al ensamblado y uso. Lea y comprenda todas las advertencias y precauciones antes de operar su parrillera.



WARNING: FUELS USED IN WOOD OR CHARCOAL BURNING APPLIANCES, AND THE PRODUCTS OF COMBUSTION OF SUCH FUELS, CAN EXPOSE YOU TO CHEMICALS INCLUDING CARBON BLACK, WHICH IS KNOWN TO THE STATE OF CALIFORNIA TO CAUSE CANCER, AND CARBON MONOXIDE, WHICH IS KNOWN TO THE STATE OF CALIFORNIA TO CAUSE BIRTH DEFECTS OR OTHER REPRODUCTIVE HARM. *For more information go to: www.P65Warnings.ca.gov.*

ADVERTENCIA: LOS COMBUSTIBLES USADOS EN EQUIPOS PARA QUEMAR MADERA O CARBÓN, ASÍ COMO LOS PRODUCTOS DE TAL COMBUSTIÓN, PUEDEN EXPONERTE A SUSTANCIAS QUÍMICAS, ENTRE ELLAS EL NEGRO DE HUMO Y EL MONÓXIDO DE CARBONO, QUE EL ESTADO DE CALIFORNIA RECONOCE COMO CAUSA, RESPECTIVAMENTE, DE CÁNCER Y DE MALFORMACIONES CONGENITAS Y OTROS DAÑOS AL SISTEMA REPRODUCTOR. *Para más información, visite www.P65Warnings.ca.gov*



ADVERTENCIAS DE SEGURIDAD

LEA TODAS LAS INSTRUCCIONES Y ADVERTENCIAS DE SEGURIDAD CUIDADOSAMENTE ANTES DE ENSAMBLAR Y OPERAR SU PARRILLERA

Lea todas las instrucciones cuidadosamente y asegúrese de que su parrillera esté ensamblada, instalada y reciba mantenimiento apropiadamente. El incumplimiento de estas instrucciones puede causar daños a la propiedad y/o lesiones severas. Si tiene alguna pregunta relacionada con la instalación u operación, llame al 912-638-4724.

- Exclusivamente para el uso al aire libre y en áreas bien ventiladas.
- Sea precavido durante el ensamblaje y operación de la parrillera, para evitar rasguños y cortadas con bordes filosos.
- No utilice gasolina, querosén o alcohol para encender el carbón. El uso de cualquiera de esos o de productos similares podría causar una explosión que resulte en lesiones severas.
- No deje una parrillera encendida sin supervisión. Mantenga a los niños y mascotas alejados de la parrillera en todo momento.
- Sea precavido cuando mueva la parrillera, para evitar lesiones.
- Mantenga la parrillera a un mínimo de 15 pies (4,58 m) de cualquier material inflamable (plataformas, contrucciones, cercas, árboles, arbustos, etc).
- Cuando agregue carbón y/o leña, hágalo con mucho cuidado.
- Nunca mueva la parrillera cuando se encuentre en uso o cuando contenga carbones o cenizas encendidas.
- No coloque la parrillera cerca de ningún líquido o gas inflamable, ni donde puedan estar presente vapores inflamables.
- Sea precavido ya que las llamas pueden intensificarse y estallar cuando el aire fresco entra en contacto con el fuego.
- Cuando abra la tapa, mantenga las manos, cara y cuerpo en resguardo del vapor caliente y las llamaradas.
- ADVERTENCIA: Para prevenir lesiones utilice guantes o equipo de protección cuando toque los soportes de la bandeja de cenizas.
- No exceda una temperatura de 400° F.
- No permita que el carbón y/o leña repose en las paredes de la parrillera. Esto reduciría considerablemente la vida útil de la parrillera.
- Siempre utilice agarradores de horno para proteger las manos de quemaduras. Evite tocar superficies calientes.
- PRECAUCIÓN: Las compuertas de metal expuestas en los ductos de aire y/o manillas de metal se calientan durante el uso de la parrillera. Use siempre los agarradores para horno cuando ajuste el flujo de aire, para proteger las manos de quemaduras.

ADVERTENCIAS DE SEGURIDAD

(Continuación)

- Cuando abra la tapa, asegúrese de empujarla completamente hasta que descansa sobre los soportes de apoyo de la tapa. Tenga mucho cuidado ya que la cubierta podría caer a la posición de cerrado, causando lesiones.
- Cierre la tapa y todas las rejillas para ayudar a extinguir la llama.
- Siempre sostenga una tapa abierta por el asa, para prevenir que se cierre inesperadamente.
- No deje carbones y cenizas sin supervisión. Antes de dejar la parrillera sin supervisión, retire los carbones y cenizas. Tome precauciones para protegerse a sí mismo y a la propiedad.
- Coloque los carbones y cenizas cuidadosamente en un contenedor de metal no combustible y satúralo completamente con agua. Permita que los carbones y cenizas reposen por 24 horas en el contenedor de metal previo a su desecho.
- Para protegerle de las bacterias que pueden causar enfermedades, mantenga todas las carnes refrigeradas y descongélelas en el refrigerador o microondas. Mantenga las carnes crudas separadas de otras comidas, y lave todo lo que entre en contacto con la carne cruda.
- Cocine las carnes cuidadosamente, y refrigere los excedentes inmediatamente.
- Utilice un termómetro para comida calibrado y los lineamientos del Departamento de Agricultura de los EE.UU. para asegurarse de que la carne, aves, mariscos y otros alimentos cocidos alcancen una temperatura mínima saludable para su ingesta.

ESTAS ADVERTENCIAS TAMBIÉN APLICAN PARA LA PARRILLERA LATERAL.

REGISTRE SU PARRILLERA:

Para aprovechar al máximo la garantía de Char-Griller, registre su parrillera a través de la página web www.CharGriller.com/Register o llamando a Servicio al Cliente al **1-912-638-4724**.

Registrarse le otorga protecciones importantes:

1. En el caso extremo del retiro de un producto, Char-Griller podrá contactarle y solucionar el problema rápidamente.
2. Si una parte cubierta por la garantía está rota o faltante, podemos enviarle rápidamente las partes que requiera o necesite.

NOTA: Durante el registro, usted necesitará el número de modelo, serial y una copia de la factura de compra original.



INFORMACIÓN DE GARANTÍA

DURANTE EL REGISTRO O INTRODUCCIÓN DE UN RECLAMO DE GARANTÍA* DEBERÁ PRESENTAR COPIA DE LA PRUEBA DE COMPRA FECHADA (RECIBO). POR FAVOR, GUARDE UNA COPIA DEL RECIBO PARA SUS REGISTROS.

Char-Griller reemplazará cualquier pieza defectuosa de sus parrilleras/ahumadores, sujetos a garantía, como se establece a continuación.

POR FAVOR LEA ESTA INFORMACIÓN DETALLADAMENTE Y EN CASO DE TENER ALGUNA PREGUNTA, CONTACTE A SERVICIO AL CLIENTE A TRAVÉS DEL 912-638-4724.

Parrilleras a Carbón / Pellet / Kamado	
Parrillera - Tapa Y Cuerpo (no incluye Recipiente para Cenizas removible)	5 años desde la fecha de compra para casos de perforación por oxidación / quemadura
Recipiente para Cenizas Y Partes Defectuosas	1 año desde la fecha de compra
Parrilleras a Gas	
Tapa de Parrillera (parte SUPERIOR) Y Tubos del Quemador Principal (no incluye el Quemador Lateral)	5 años desde la fecha de compra para casos de perforación por oxidación / quemadura
Cuerpo de la Parrillera (parte INFERIOR) Y Quemador Lateral Y Partes Defectuosas	1 año desde la fecha de compra
Parrilleras Doble Combustible (Gas y Carbón)	
Parrillera a Carbón - Tapa Y Cuerpo Y Tapa de la Parrillera a Gas (parte SUPERIOR) Y Tubos del Quemador Principal (no incluye Recipiente para Cenizas y Quemador Lateral)	5 años desde la fecha de compra para casos de perforación por oxidación / quemadura
Recipiente para Cenizas Y Partes Defectuosas Y Cuerpo de la Parrillera a Gas (parte INFERIOR) Y Quemador Lateral	1 año desde la fecha de compra
Partes, Accesorios, y Cubiertas para Parrilleras	
	1 año desde la fecha de compra (sólo desgarros en costuras para cubiertas)

EL ÓXIDO SUPERFICIAL NO ES CONSIDERADO UN DEFECTO DE MANUFACTURA O DE MATERIAL

Las parrilleras Char-Griller están hechas de acero y al ser expuestas a los elementos ambientales se producirá la oxidación naturalmente. Por favor, refiérase a la sección "Uso" para revisar como cómo cuidar su parrillera apropiadamente.

Los problemas superficiales como: ralladuras, hendiduras, corrosión o decoloración por calor, limpiadores químicos o abrasivos, la oxidación de la superficie o la decoloración de superficies de acero NO están cubiertos por esta garantía.

Las garantías sólo cubren el reemplazo de partes defectuosas. Char-Griller no se hace responsable de daños que resulten de accidentes, modificaciones, usos indebidos, abuso, ambientes hostiles, instalación incorrecta e instalación que no cumpla con las normativas locales para la unidad de servicio.

Excluidos De TODA Garantía

Pintura; Óxido de Superficie; Daño por Temperatura; Partes Incorrectas ordenadas por el cliente, incluyendo el envío; Partes Desgastadas; Partes faltantes o dañadas no reportadas en los (2) meses posteriores a la fecha de compra; Partes Defectuosas no reportadas durante el primer (1) año de la fecha de compra; Decoloración de la tapa de la parrillera.

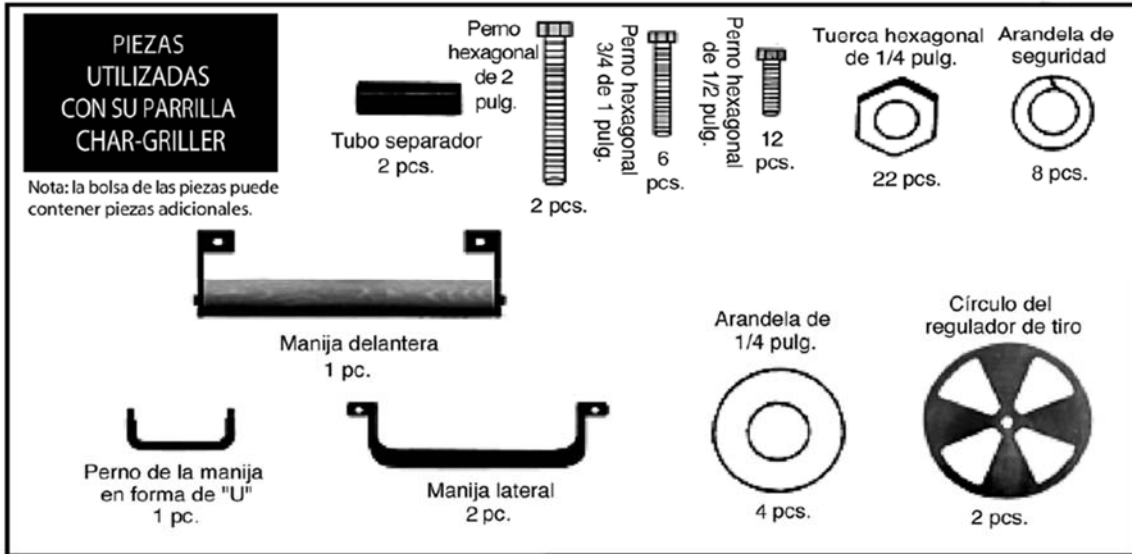
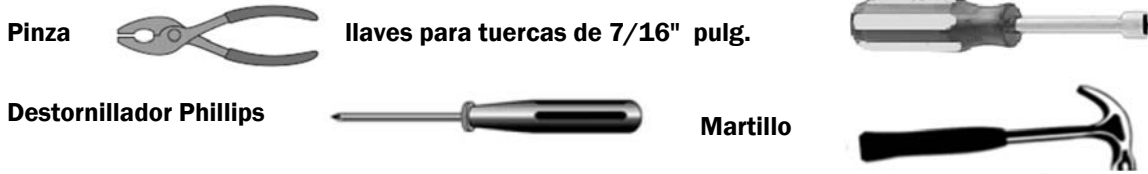
*NOTA: Para reclamos de garantía, pueden ser solicitadas fotos y la devolución prepagada del artículo en cuestión. El uso indebido, abuso o uso comercial anula todas las garantías.

A-4



LISTA DE PIEZAS Y HERRAMIENTAS

(Herramientas No incluidas)



- PIEZAS DESCRIPCIÓN:
- 1 BASERO LATERAL
 - 2 CÍRCULO DEL REGULADOR DE TRIO
 - 1 CAJÓN DE LA BANDEJA
 - 2 PARRILLA PARA COCINAR
 - 1 FUNDICION DE HIERRO LEVANTADOR
 - 2 MANIJA LATERAL
 - 1 MANIJA DELANTERA
 - 1 REJILLA DE METAL

NO SE ACEPTAN DEVOLUCIONES DE PARRILLAS USADAS

¡ESPERE! ¡LLAME PRIMERO A CHAR GRILLER! DO NO DEVUELVA EL PRODUCTO A LA TIENDA.

LLAME AL (912) 638-4724. Este product ha sido fabricado según las más altas normad de calidad. Llámenos si tiene alguna pregunta que no figure en estas instrucciones o para obtener información sobre el service técnico.

Tener un número de serie de su parrilla (que se encuentra en la parte posterior de la caja de la parrilla o en la pierna) cuando se llama.

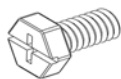


INSTRUCCIONES DE ARMADO

Lea todos los avisos de seguridad e instrucciones
De cuidado antes de armar u operar su parrilla.

Nota: Todas las tuercas de ir en el interior de la parrilla.
Quite y desempaquete la parrilla y todas sus partes del empaquetado.

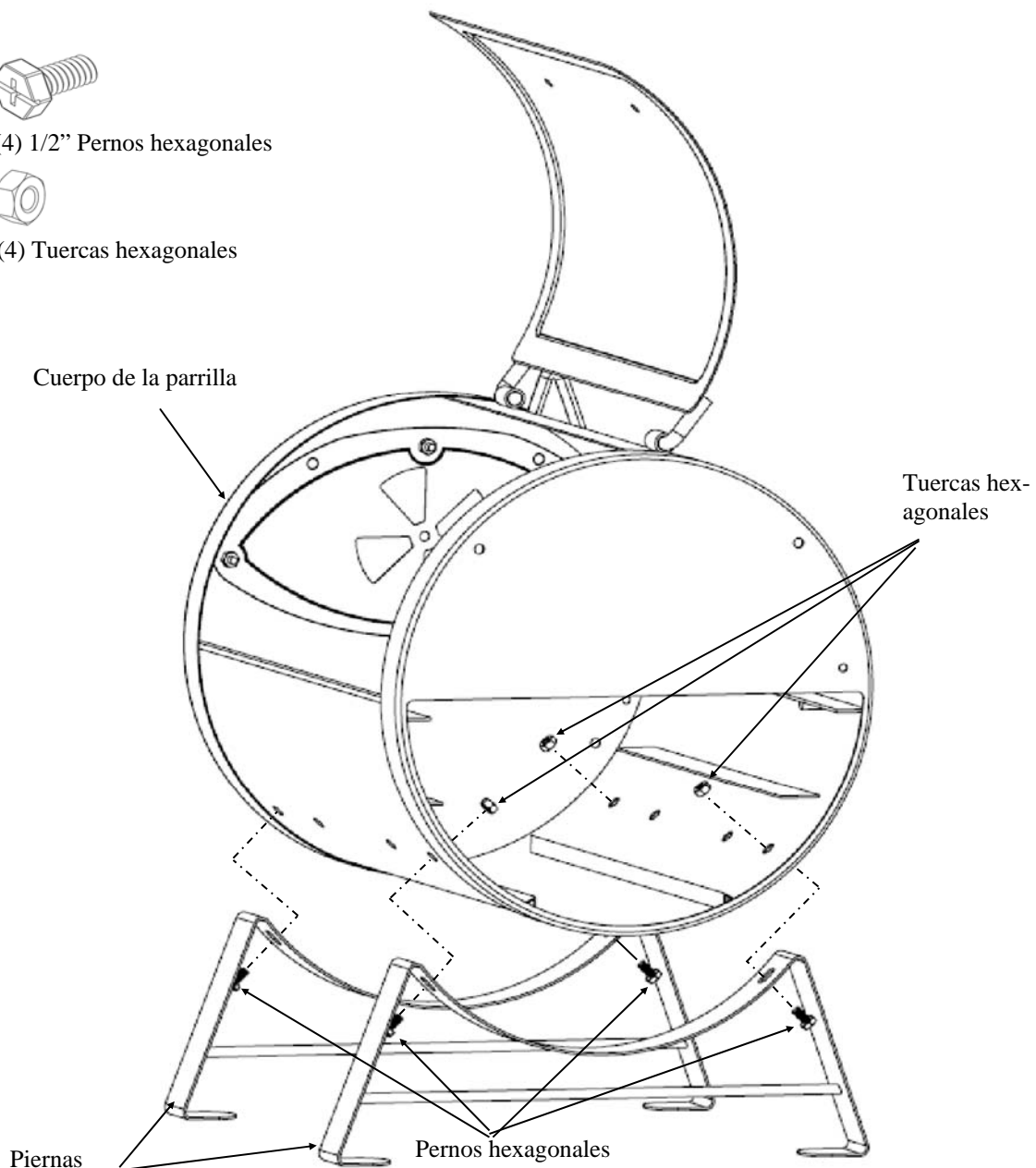
Paso 1: Conecte las piernas al cuerpo de parrilla con cuatro 1/2 "pernos hexagonales y cuatro tuercas hexagonales, vea abajo.



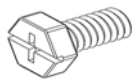
(4) 1/2" Pernos hexagonales



(4) Tuercas hexagonales



Paso 2: Coloque el manija delantera para parrilla campana con dos pernos hexagonales, dos arandelas y dos tuercas hexagonales, vea abajo.



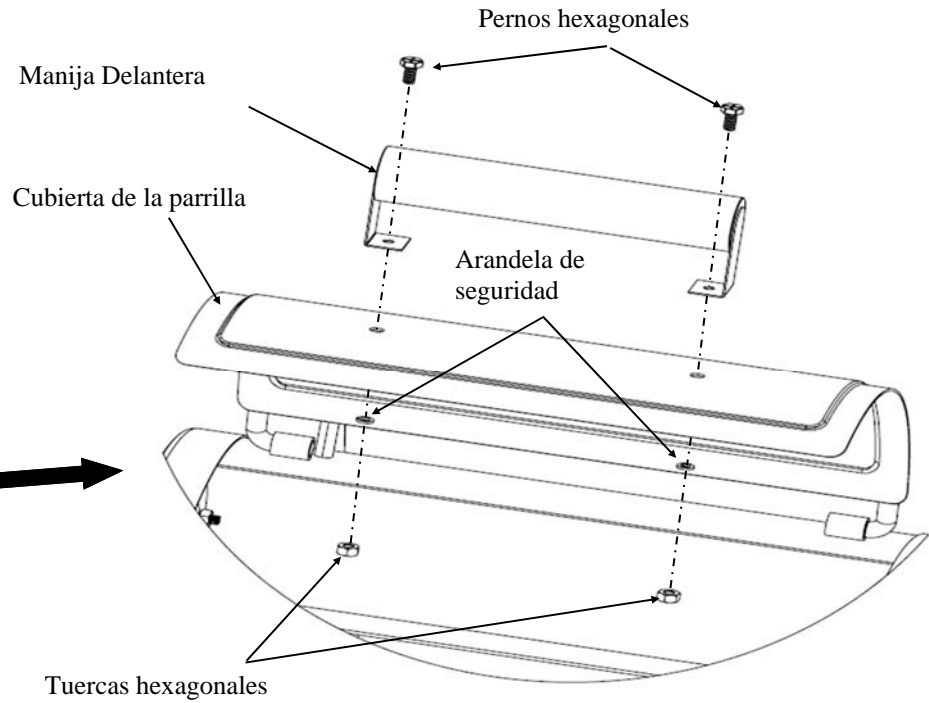
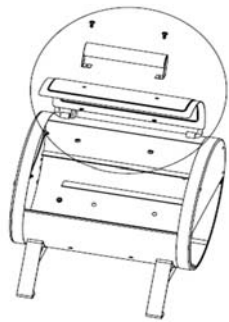
(2) 1/2" Pernos hexagonales



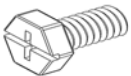
(2) Tuercas hexagonales



(2) Arandela de seguridad



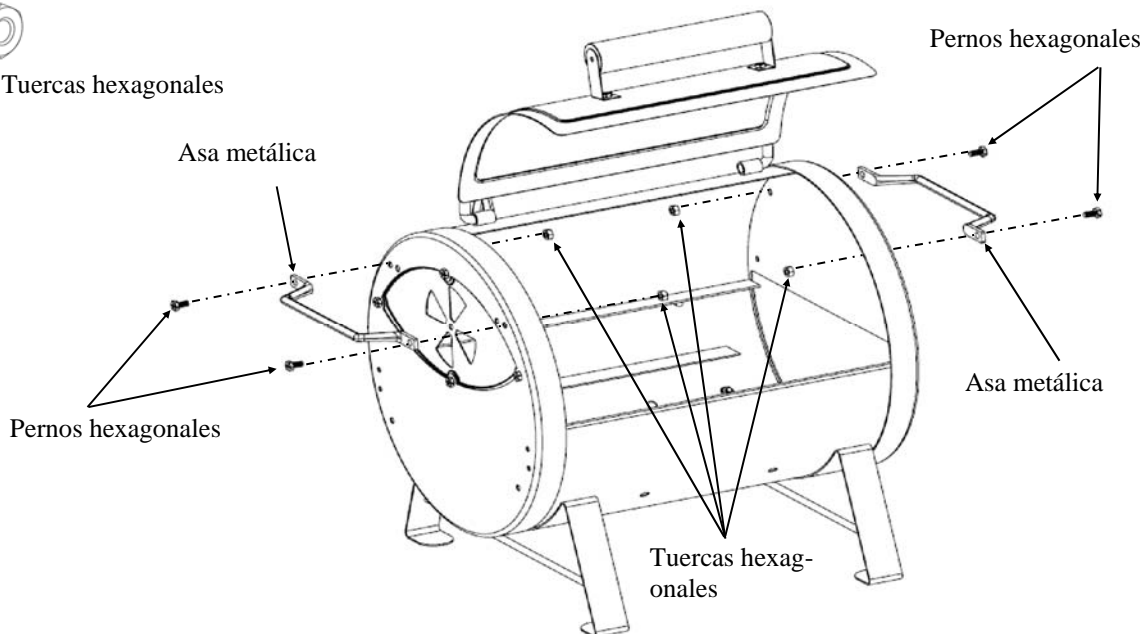
Paso 3: Conecte el alambre manejar al cuerpo de parrilla con cuatro pernos de maleficio y cuatro tuercas hexagonales, vea abajo.



(4) 1/2" Pernos hexagonales

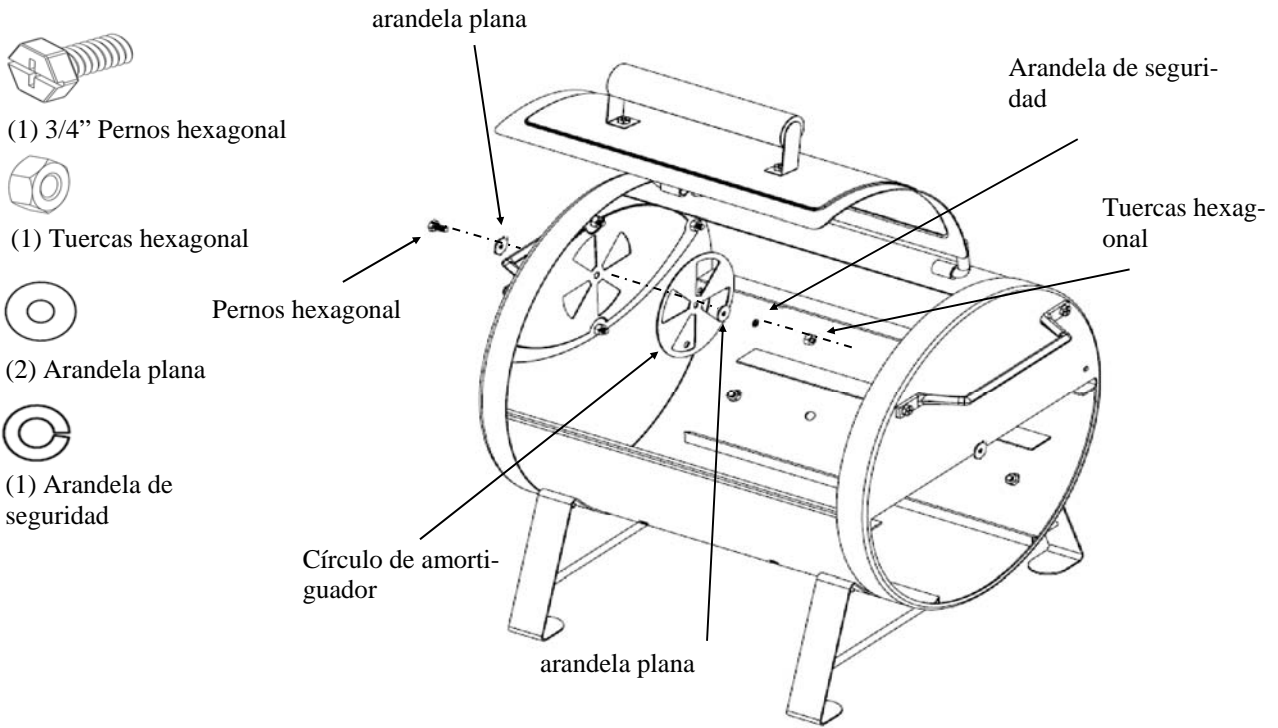


(4) Tuercas hexagonales

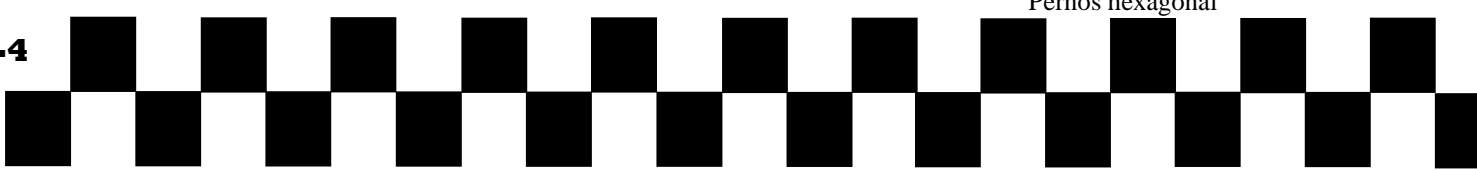
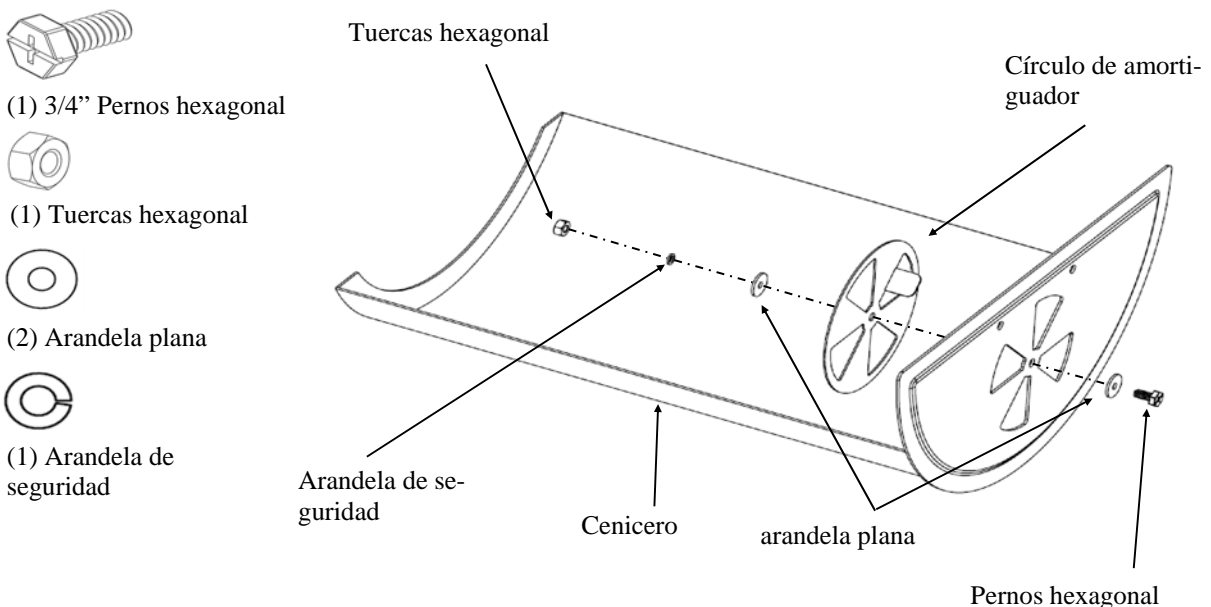




Paso 4: Conecte el regulador circule al cuerpo de la parrilla con un 3/4 "pernos hexagonales, una arandela plana, una arandela y una tuerca hexagonal.



Paso 5: Coloque círculo de amortiguador en el cenicero con 3/4 "perno hexagonal, arandela plana, arandela y tuerca hexagonal, vea abajo.



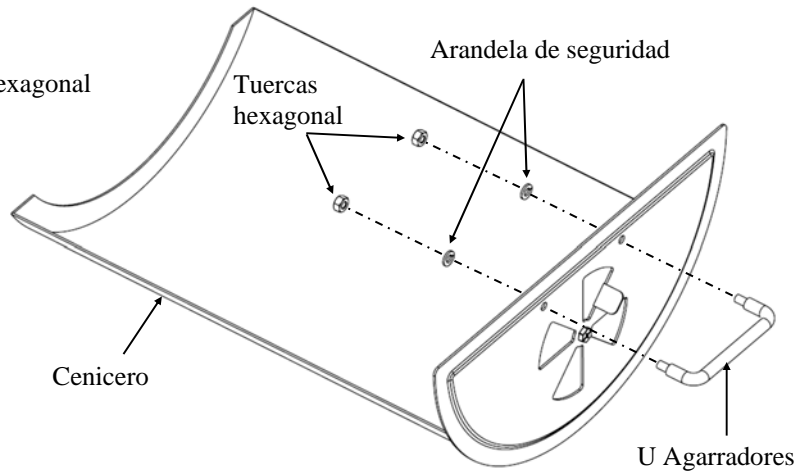
Paso 6: Instale asideros en U a cenicero con dos arandelas y dos tuercas hexagonales.



(2) Arandela de seguridad

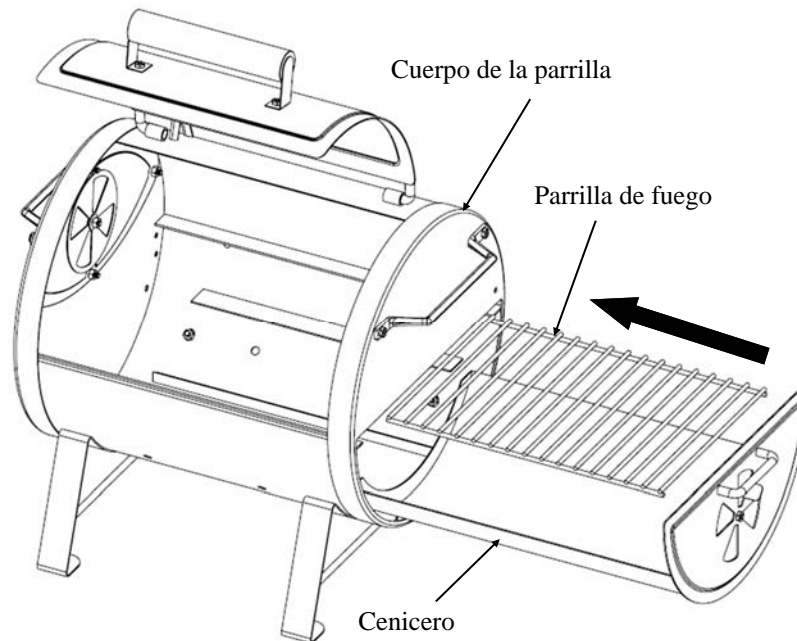


(2) Tuercas hexagonal



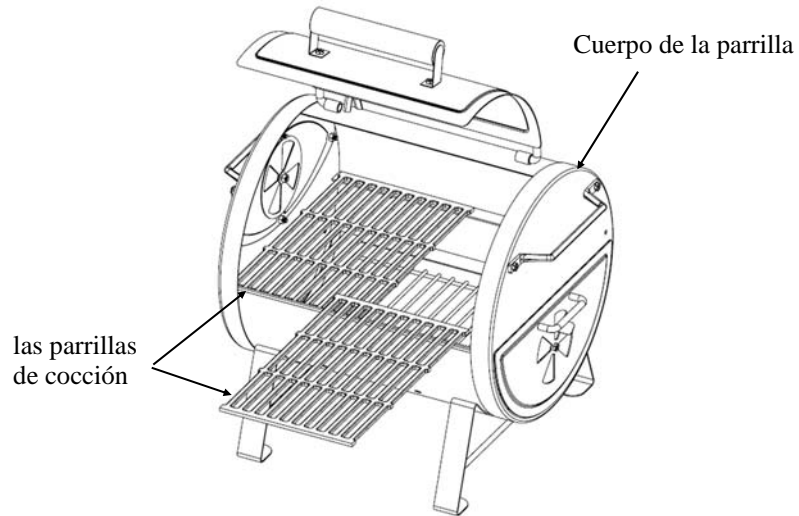
Paso 7: Apriete todos los pernos y tuercas. Inserte un perno de 1/2 "y apriete con una tuerca para cualquier abiertos agujeros en el cuerpo de la parrilla después del montaje.

Paso 8: Coloque la rejilla de fuego sobre cenicero luego desliza en el cuerpo de la parrilla .

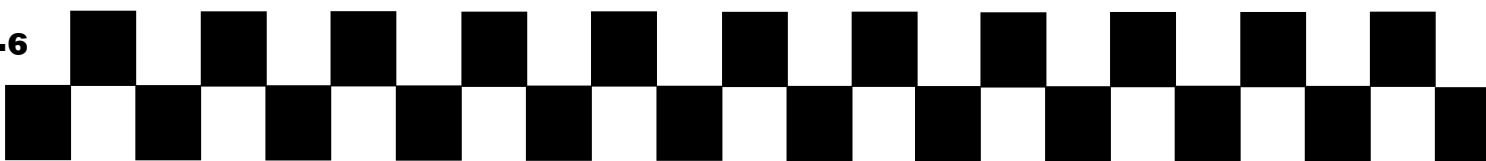




Paso 9: Coloque las rejillas de cocción en el cuerpo de la parrilla.



SIN VUELTAS EN LAS PARRILLAS USADAS.

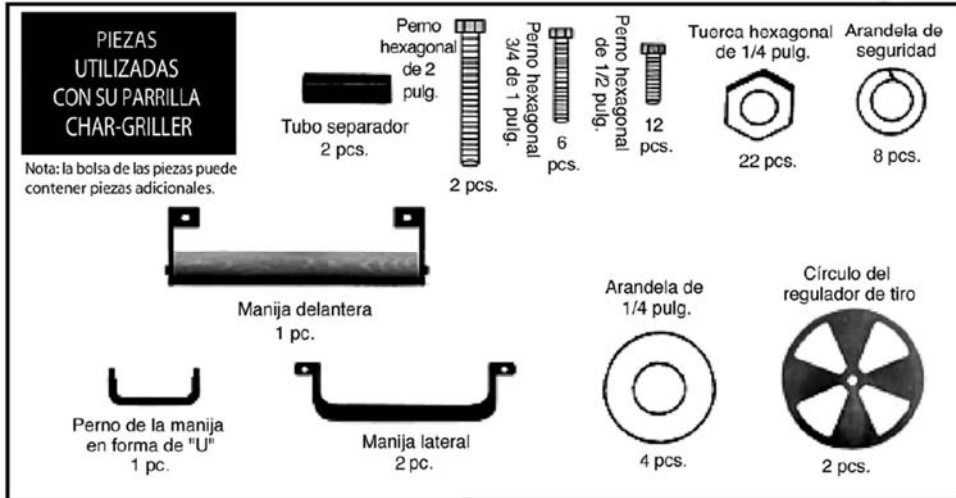


Página en blanco para las notas



LISTA DE PIEZAS Y HERRAMIENTAS

(Herramientas No incluidas)



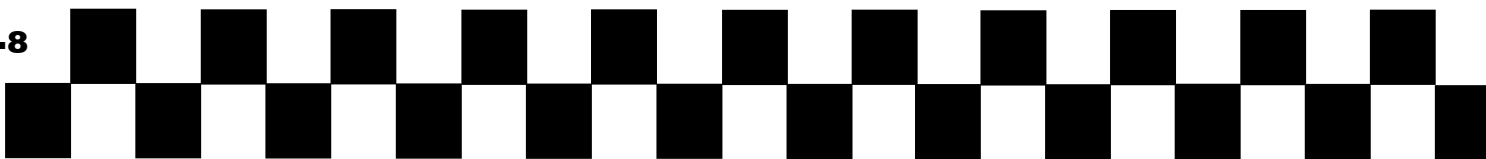
- PIEZAS DESCRIPCIÓN:**
- 1 BASERO LATERAL
 - 2 CÍRCULO DEL REGULADOR DE TRIO
 - 1 CAJÓN DE LA BANDEJA
 - 2 PARILLA PARA COCINAR
 - 1 FUNDICION DE HIERRO LEVANTADOR
 - 2 MANIJA LATERAL
 - 1 MANIJA DELANTERA
 - 1 REJILLA DE METAL

NO SE ACEPTAN DEVOLUCIONES DE PARRILLAS USADAS

¡ESPERE! ¡LLAME PRIMERO A CHAR GRILLER! DO NO DEVUELVA EL PRODUCTO A LA TIENDA.

LLAME AL (912) 638-4724. Este product ha sido fabricado según las más altas normas de calidad. Llámenos si tiene alguna pregunta que no figure en estas instrucciones o para obtener información sobre el service técnico.

Tener un número de serie de su parrilla (que se encuentra en la parte posterior de la caja de la parrilla o en la pierna) cuando se llama.



INSTRUCCIONES DE ARMADO

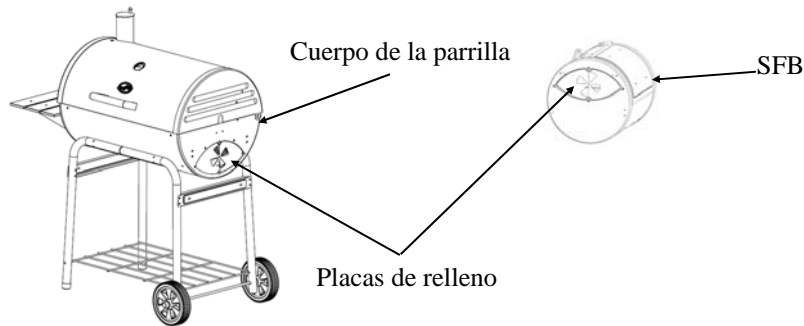
Lea todos los avisos de seguridad e instrucciones de cuidado antes de armar u operar su parrilla.

IMPORTANTE:- Todas las tuercas hexagonales deben ir en el INTERIOR del brasero lateral.

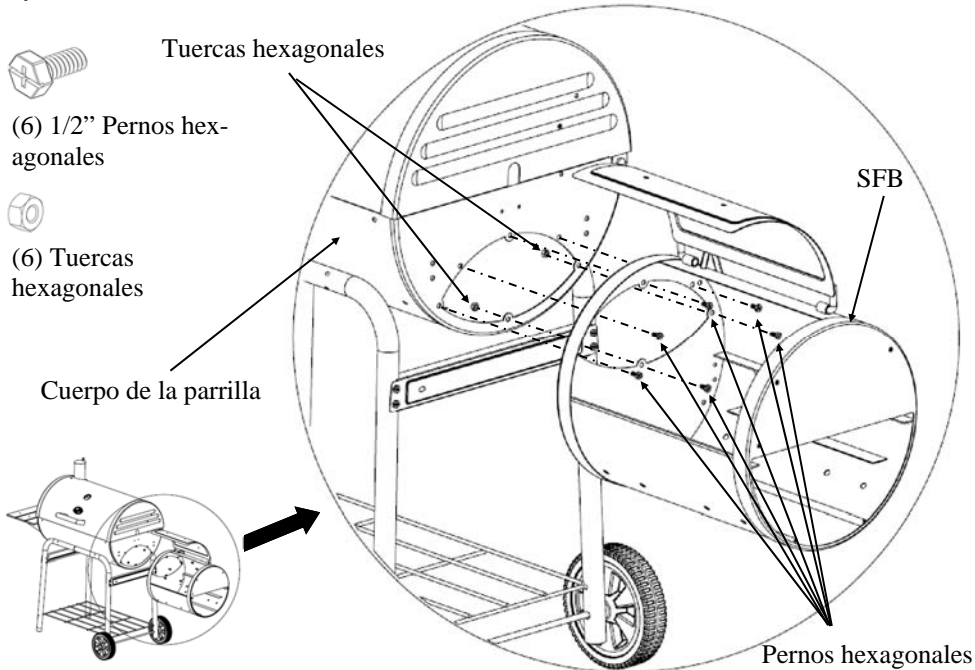
NO AJUSTE NINGUN PERNO HASTA QUE EL BRASERO LATERAL ESTE ENSAMBLADO POR COMPLETO.

Quite y desempaquete la parrilla y todas sus partes del empaquetado. Retire las parrillas para cocinar, la rejilla para calendar, la bandeja para cenizas y el regulador de trio lateral del cuerpo principal de la parrilla.

Paso 1: Retire las placas de relleno del SFB y cuerpo de la parrilla principal que va a instalar el SFB en.

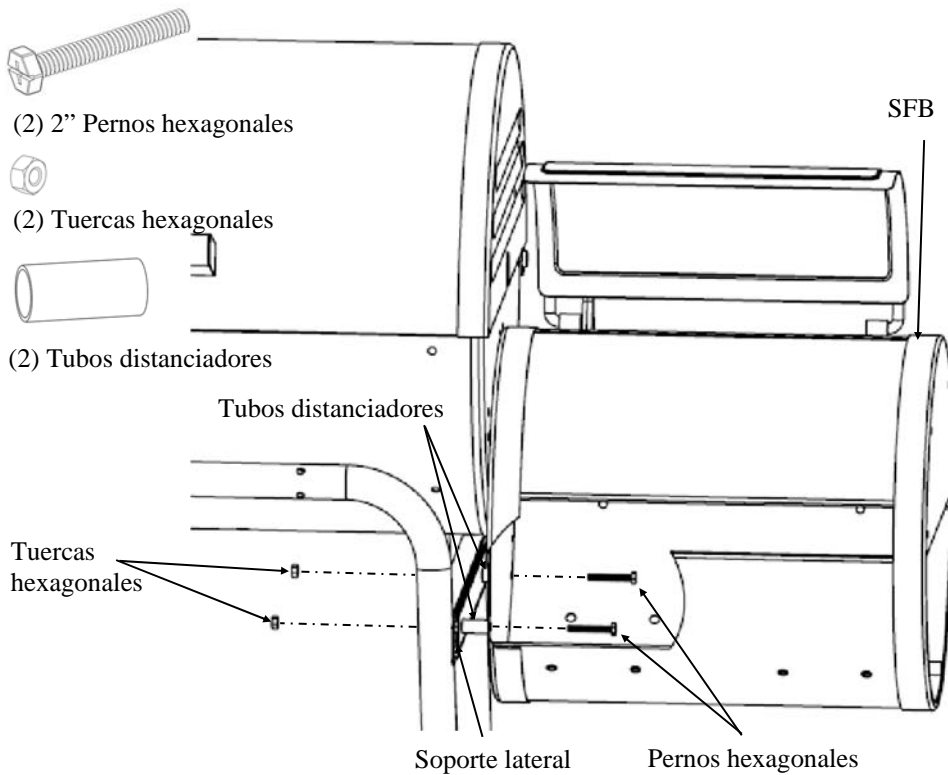


Paso 2: Conecte SFB al cuerpo de la parrilla principal. Con un ayudante Alinee el SFB en su lugar sobre la abertura en el cuerpo de la parrilla, luego conecte con seis pernos de 1/2" y las tuercas.

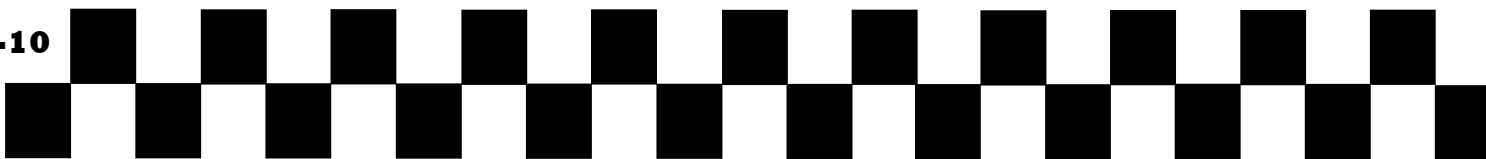
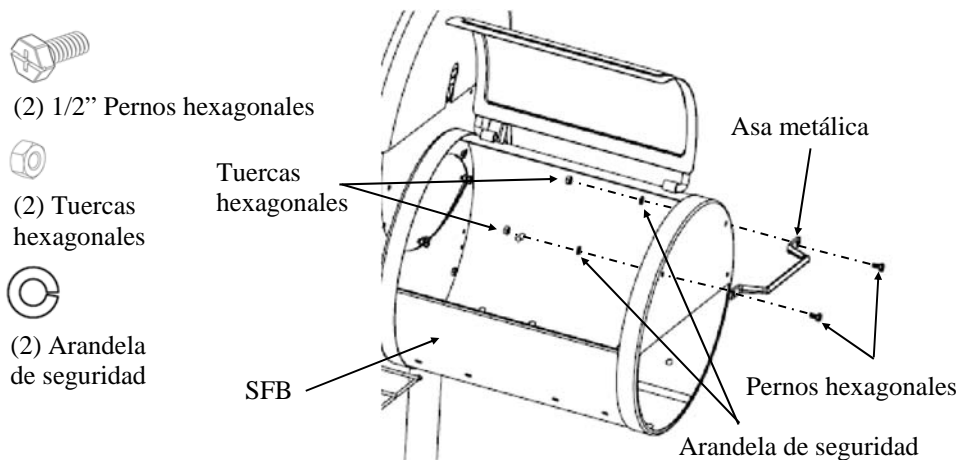




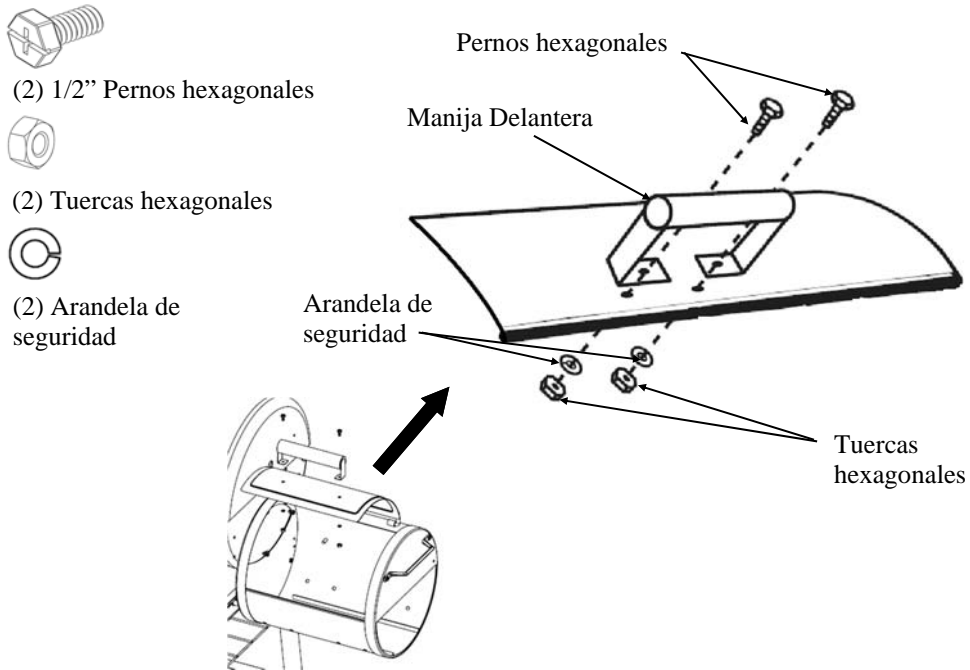
Paso 3: Fije los tubos distanciadores entre SFB y lado apoyos y asegure con dos 2" pernos hexagonales y tuercas hexagonales. Los pernos hexagonal deben pasar a través de la parte SFB, véase abajo. Alinee los tubos distanciadores con los agujeros correspondientes en el soporte de pierna y SFB. Inserte el 2" hexagonal Perno a través el SFB y mediante el tubo separador y finalmente a través de la abrazadera de la pierna. Luego apriete el tornillo de la hexagonal con la tuerca hexagonal.



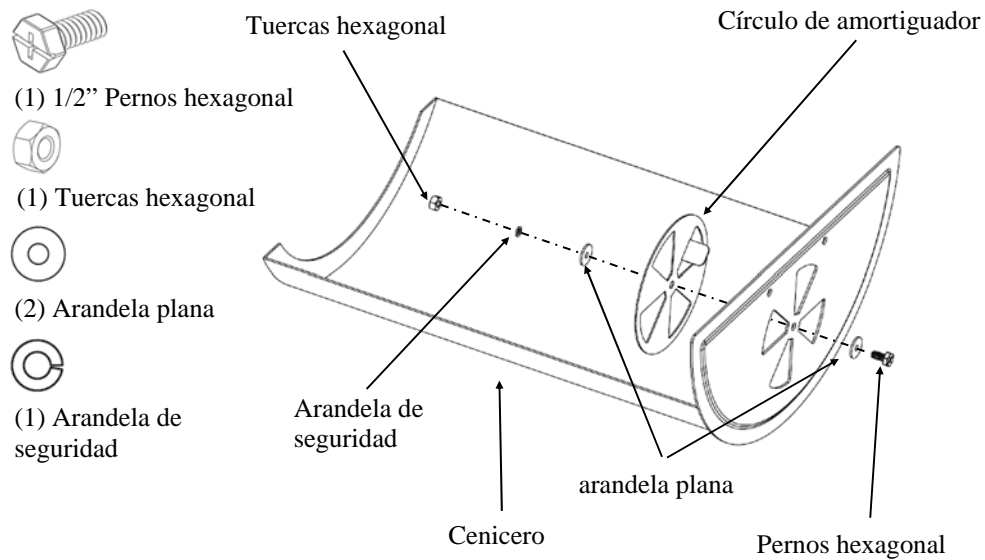
Paso 4: Coloque el asa del alambre a la derecha SFB con dos 1/2" pernos hexagonales, dos arandelas y dos tuercas hexagonales, véase abajo.



Paso 5: Coloque el manija delantera a SFB campana con dos 1/2 "pernos hexagonales, dos arandelas y dos tuercas hexagonales.



Paso 6: Coloque círculo de amortiguador en el cenicero con 1/2 "perno hexagonal, arandela plana, arandela y tuerca hexagonal, vea abajo.





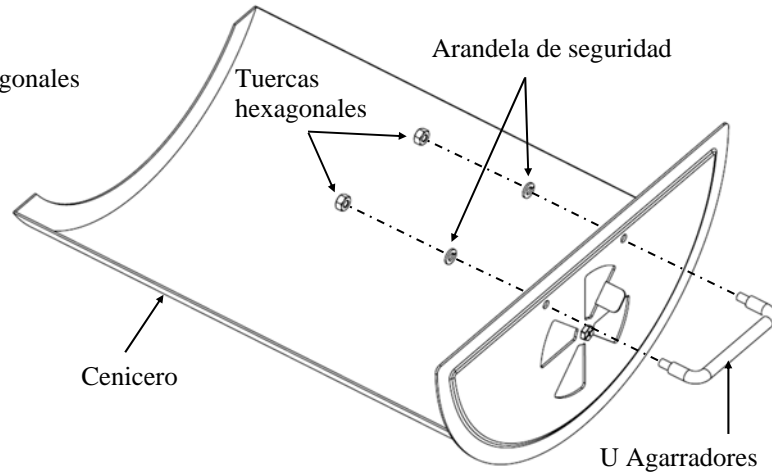
Paso 7: Instale asideros en U a cenicero con dos arandelas y dos tuercas hexagonales.



(2) Arandela de seguridad

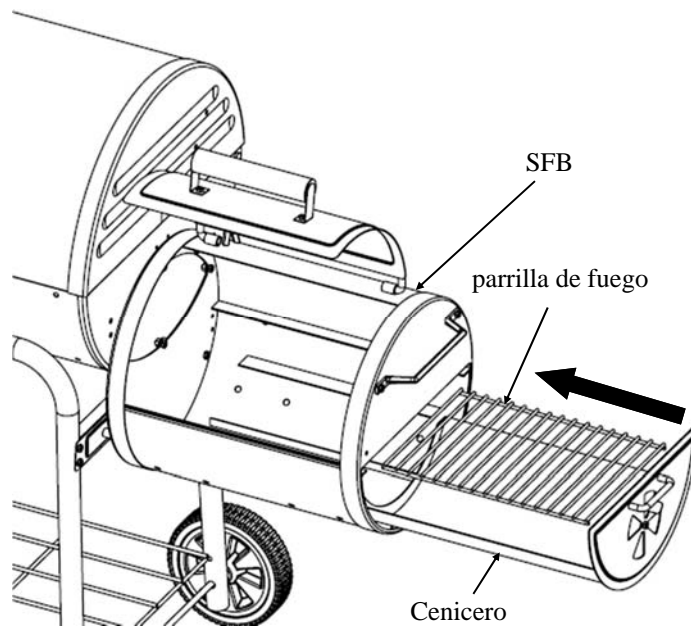


(2) Tuercas hexagonales

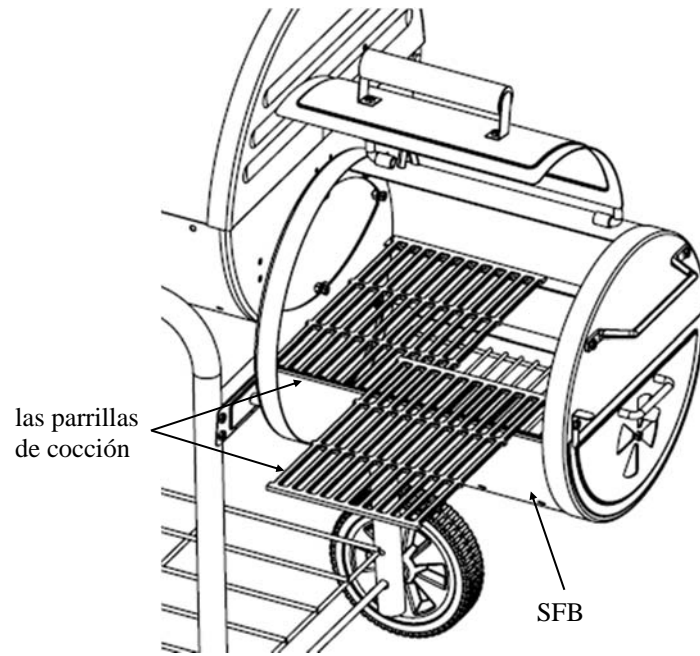


Paso 8: Apriete todos los pernos y tuercas. Inserte un perno de 1/2 "y apriete con una tuerca para cualquier abiertos agujeros en el cuerpo de la parrilla después del montaje.

Paso 9: Luego coloque la rejilla de fuego sobre cenicero desliza en SFB.



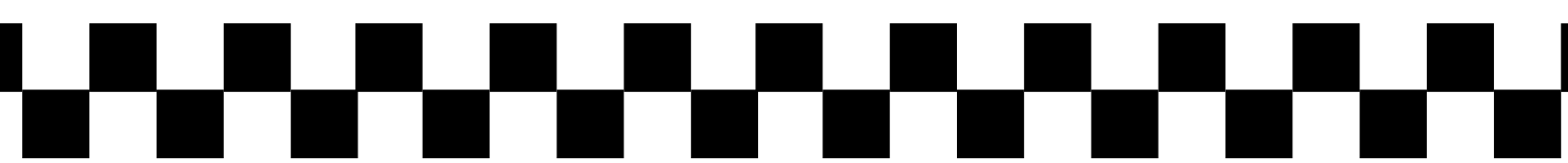
Paso 10: Colocar las rejillas de cocción en SFB.



SIN VUELTAS EN LAS PARRILLAS USADAS.



**Esta Página Ha Sido
Intencionalmente Ha Dejado
En Blanco**



INSTRUCCIONES OPERATIVAS

Instalación del Equipo

Coloque la parrillera en una superficie plana y sólida, resguardada del viento. No mueva la parrillera mientras esté caliente y no la deje sin supervisión durante su operación.

Este equipo está diseñado para ser utilizado al aire libre, lejos de cualquier material inflamable. Es importante que no existan obstrucciones superiores y que haya una distancia mínima de 3 pies (90 cm) desde la parte lateral o trasera del equipo. Es importante que las aperturas de ventilación del equipo no sean obstruidas. La parrillera debe ser usada en una superficie nivelada y estable. Debe evitar la exposición del equipo a corrientes de aire; el equipo debe ser posicionado o protegido contra la penetración directa de agua que gotee (como por ejemplo, la lluvia).

**** ATENCIÓN: LAS PARRILLERAS USADAS NO TENDRÁN DEVOLUCIÓN ****

Curando y Preparando la Parrillera

IMPORTANTE! ANTES DE UTILIZAR SU PARRILLERA POR PRIMERA VEZ, DEBERÁ CURAR LA(S) REJILLA(S) DE COCCIÓN DE HIERRO FUNDIDO.

Curar su parrillera antes del primer uso, protegerá el acabado interior y exterior y rejillas de cocción y prevendrá los sabores artificiales en sus primeras comidas.

1. Cubra ligeramente TODAS LAS SUPERFICIES INTERNAS (incluyendo rejillas, parrillera e interior del barril.) con aceite vegetal (el aceite vegetal en spray es el más fácil de utilizar, pero no lo utilice cerca del fuego o brasas calientes).
2. Encienda un fuego mediano en la **rejilla de carbón**. Siempre coloque carbón encima de la rejilla de carbón y no directamente en el fondo de la parrillera.
3. Una vez que se cubran de cenizas, distribuya los carbones, reemplace las rejillas de cocción, cierre la tapa y caliente a aproximadamente 250° F por dos horas.
4. Retire las rejillas de la parrillera con guantes para horno, permita que enfríen y vuelva a engrasarlas. Colóquelas en la parrillera nuevamente a aproximadamente 200° F por dos horas.
5. Usted podrá cubrir ligeramente el exterior del cuerpo de la parrillera (mientras esta caliente) con aceite vegetal. Esto extenderá la vida útil del acabado, similar a cuando pule un carro. Su parrillera está lista para ser utilizada.

NOTA: La parrillera goteará aceite durante este proceso y por los siguientes usos. Es normal.

NUNCA EXCEDA LOS 400°F. ESTO DAÑARÍA EL ACABADO Y CONTRIBUIRÍA A LA OXIDACIÓN. LA PINTURA NO ESTÁ CUBIERTA POR LA GARANTÍA Y REQUERIRÁ DE RETOQUES. ÉSTA UNIDAD NO TIENE GARANTÍA CONTRA LA OXIDACIÓN.



Instrucciones de Encendido

6. Para comenzar un fuego a carbón, apile de 15-18 briquetas en forma de pirámide y sature con fluido de encendido. **NOTA:** No use gasolina, querosén o alcohol para encender el carbón. El uso de cualquiera de estos productos, o de similares, puede causar una explosión que posiblemente conlleve a graves lesiones.
7. Encienda los carbones en distintos lugares.
8. Luego de que las briquetas se cubran de cenizas o se pongan grises, distribúyalas y comience a cocinar.
9. Si un lado se consume más rápidamente, utilice pinzas para mover las brasas de un lado al otro para un calor uniforme.

Uso de la Parrillera y Consejos

- Controle la temperatura por medio de la cantidad y tipo de combustible, con las compuertas duales y (opcional) la rejilla ajustable para combustible. Ajuste un extremo de la rejilla a la vez. La madera caliente más que los carbones. Un mayor flujo de aire equivale a una mayor temperatura.
- Para reducir las llamaradas, cocine con la tapa cerrada.
- Añada pedacitos de madera mojados para lograr un sabor ahumado.
- Las cenizas dejadas en el fondo por mucho tiempo, absorben humedad y oxidarán cualquier acero sin importar su grosor. Esta parrillera está hecha de hierro fundido y acero, lo que SE OXIDARÁ, ESPECIALMENTE SI NO SE LE DA EL CUIDADO REQUERIDO.
- No utilice carbón vegetal instantáneo ya que le aportará un sabor artificial a lo que cocine. Consuma completamente el fluido de encendido antes de cerrar la tapa.
- Luego de cada uso, cubra las rejillas internas con aceite vegetal para reducir la oxidación.
- En el EXTERIOR, elimine el polvo con un cepillo de alambre y retoque con una pintura para altas temperaturas, disponible en cualquier tienda de herramientas/vehículos.
- Puede colocar una lata de café en la repisa inferior, bajo el hueco de la parrillera, para las gotas.
- El medidor de temperatura puede humedecerse, lo que causará que se empañe durante la cocción. El medidor puede ser extraído y calibrado en un horno.
- Usted puede llenar cualquier hueco no deseado con Pernos y Tuercas (No Incluidos).

NOTA: El humo puede escapar de áreas distintas a la chimenea. Esto no debería afectar la cocción.

Finalizando

Cuando termine de cocinar en la parrillera, podrá apagarla cerrando ambas compuertas y permitiendo que el fuego se sofoque. Sea paciente. Esto tomará un hora o más.

Vaciado de Cenizas:

****SÓLO VACÍE LAS CENIZAS MIENTRAS LA PARRILLERA NO ESTÉ EN USO****

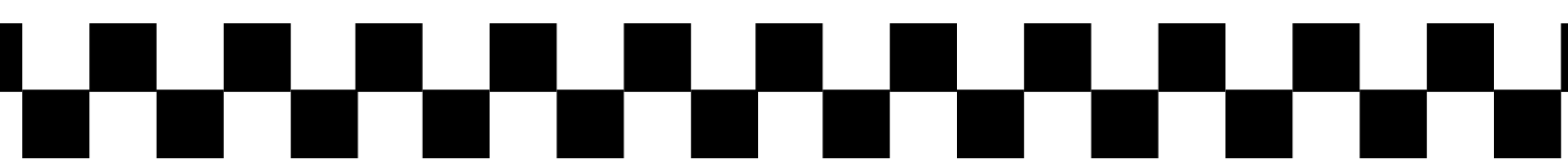
Luego de que el fuego esté completamente apagado, deberá esperar varias horas para vaciar las cenizas, asegurando que ya no están calientes y no existe peligro de quemaduras.

1. Tumbé cualquier ceniza que no haya caído al recipiente de cenizas de la rejilla de combustible. (Si encuentra pedazos de carbón parcialmente quemados en la rejilla para combustible, puede guardarlos para la próxima vez. Todavía funcionan).
2. Golpee los lados del recipiente para soltar cualquier ceniza que pueda estar en los lados.
3. Retire el recipiente de cenizas del fondo de la parrillera, y deslícelo hacia el frente.
4. Golpee ligeramente el recipiente de cenizas para soltar cualquier ceniza que pueda permanecer pegada.
5. Coloque las cenizas en un contenedor de metal y cubra con agua para garantizar que no se encuentren brasas encendidas; luego podrá eliminar las cenizas.

IMPORTANTE: El carbón es poroso y conserva la humedad. NO deje carbón en su parrillera cuando no la utilice. El carbón y cenizas dejados en el recipiente de cenizas pueden reducir la vida útil de su parrillera.



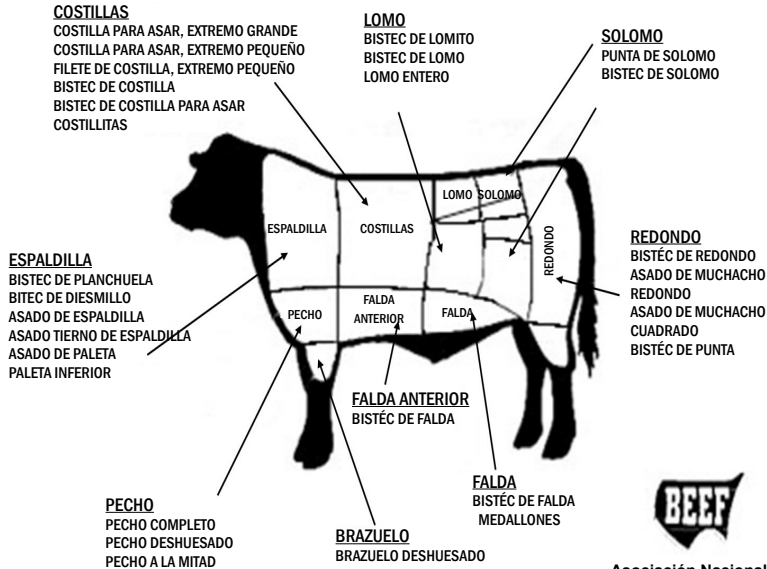
**Esta Página Ha Sido
Intencionalmente Ha Dejado
En Blanco**



RECETAS PARA COCINAR A LA PARRILLA

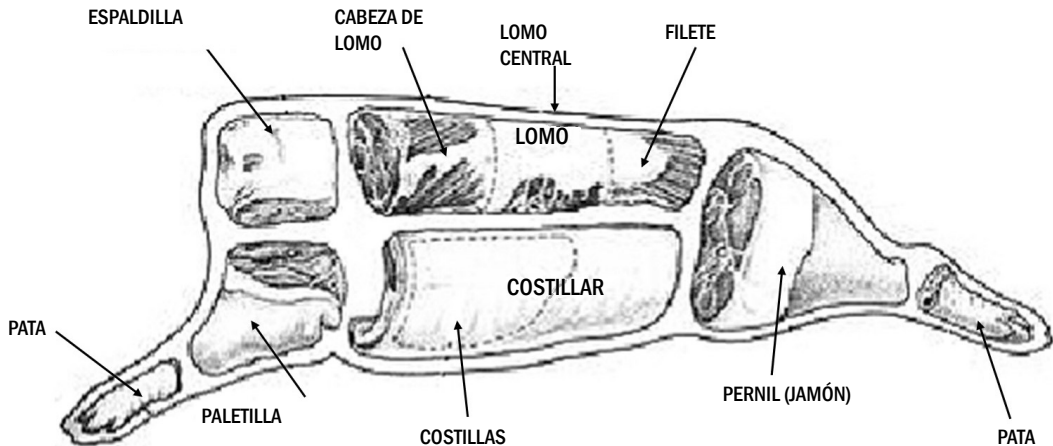
Conozca sus Cortes de Carne

CORTES DE RES



Asociación Nacional de Ganaderos
444 North Michigan Avenue
Chicago, Illinois 60611
(312) 467 5520

CORTES DE CERDO





Calor Directo

- **El Calor Directo es un método de alta temperatura utilizado para cocinar comidas que toman menos de 25 minutos de cocción. Normalmente significa que son comidas que tienen poco grosor como los bistecs, chuletas, pechugas de pollo deshuesadas, filetes de pescado, hamburguesas, etc.**
- **Cocinar usando un TERMÓMETRO DE CARNE asegura que la comida está totalmente cocida. Inserte en la parte más gruesa sin tocar el hueso y permita que pasen cinco minutos para que haga el registro.**
- **Las temperaturas internas del ave deben oscilar entre 170°F y 180°F (76°C a 82°C).**
- **Las temperaturas internas para la carne deberá ser de 140°F (60°C) para término medio; 160°F (71°C) para tres cuartos; y 170°F (76°C) para bien cocido.**

BISTECS (Y TODAS LAS CARNES)

- Cocine la comida en el lado de carbón vegetal del equipo, directamente sobre los carbones/calor.
- Para asar las carnes, suba la rejilla de combustible a la posición más alta (caliente) y selle por un minuto cada lado con la tapa abierta para sellar el sabor y los jugos. Luego baje la rejilla de combustible a una posición media con la tapa cerrada y cocine hasta el punto de cocción deseado.
- Controle el calor con reguladores duales y rejillas de combustible ajustables.

Sugerencia: Coloque la carne asada nuevamente en la marinada por algunos minutos antes de servir – será más jugosa y tendrá más sabor.

PRECAUCIÓN: Primero hierva la marinada restante para matar las bacterias remanentes de la carne cruda.

BISTEC DE FALDA MARINADA:

- Mezcle los ingredientes de la marinada en una fuente no metálica.
- Deje que el bistec permanezca en la marinada por no menos de 4 horas en el refrigerador.
- Dore cada lado por 5 minutos, pero el centro debe permanecer casi crudo.
- Corte el bistec diagonalmente contra a la fibra en delgadas rebanadas antes de servir.
- Ase con el fuego de la parrilla en posición alta (caliente) con la tapa abierta o cerrada.

Marinada de Carne

½ taza de aceite vegetal o de oliva
1/3 de taza de salsa de soya
¼ de taza de vinagre de vino tinto
2 cdas de jugo de limón
1 cda de mostaza seca
1 diente de ajo picado
1 cebolla pequeña picada
¼ de cda de pimienta

CODORNICES O PALOMAS:

- Cubra las aves en aderezo italiano (Good Seasons o Kraft Zesty) y marínelas durante la noche.
- Vierta el aderezo restante y cubra con Salsa Picante Texas Pete Hot Sauce por 6 horas.
- Envuelva las aves en tocino grueso y asegúrelas con un mondadientes.
- Colóquelas en la parrilla. Siga volteándolas hasta que el tocino se tueste.
- Ase por 20 minutos. Dore con la tapa abierta y la rejilla de combustible en posición alta (caliente) por 1

minuto en cada lado antes de bajar la rejilla y cerrar la tapa.

- Para AHUMAR, coloque las aves en el centro de la REJILLA con el fuego en los dos extremos de la PARRILLA LATERAL.

BROCHETAS:

- Alternar en las brochetas cualquier combinación de carnes, cebollas, tomates, pimentones verdes, champiñones, calabacines, una rodaja de maíz sancochado o piña. La carne consiste en pedazos de camarones, vieiras, langostas, pollo, salchichón, cochino, ternera, etc.
- Marine la carne en el refrigerador por algunas horas.
- Ase cada lado por 7 minutos aproximadamente, volteándolo ocasionalmente mientras lo bañas con la marinada. Deje un espacio entre cada pedazo para una cocción más rápida.
- Ase con la tapa arriba y la rejilla de combustible en su posición más baja. Vea la receta de la marinada en la última página.

Marinada para Brochetas:

1 una taza de salsa de soya
½ taza de azúcar morena
½ taza de vinagre
½ taza de jugo de piña
2 una cdta de sal
½ cdta de ajo en polvo

- Mezcle todos los ingredientes en una olla y lleve a ebullición.
- Permita que la marinada se enfríe antes que marine la carne con ella.
- Marine la ternera en la mezcla por lo menos 4 horas.

PERROS CALIENTES:

- Ase con la tapa arriba y la rejilla de combustible en alta posición (caliente) durante aproximadamente 6 minutos.
- Voltee cada pocos minutos.

HAMBURGUESAS:

Vea la marinada de carne.

Usted puede también marinarla al permitirle estar por una 1 o 2 horas a temperatura ambiente antes de cocinarla, o dejarla en el refrigerador en un plato cubierto hasta por lo menos 24 horas.

- Lleve a temperatura ambiente antes de cocinar.
- Mezcle cebollas y pimentón cortado, sal, selle cada lado de carne de hamburguesas de 3 pulgadas (2 cm) de grosor con la rejilla de combustible en posición alta por unos pocos minutos.
- Baje la rejilla de combustible a una posición media y ase con la tapa cerrada para evitar llamaradas.
- Cocine cada lado de 3 a 7 minutos dependiendo de la cocción deseada.
- Cocine la carne molida a una temperatura interna de 150°F (65°C) o hasta que los jugos estén limpios de sangre para prevenir la E. coli.
- Las hamburguesas pueden untarse con marinada cuando se voltean y/o otros ingredientes pueden mezclarse en la carne molida como por ejemplo con salsa o polvo de picante.



CAMARONES (Pelados) y LANGOSTA:

- Coloque en pinchos.
- Cubra con mantequilla derretida y ajillo con sal.
- Ase por 4 minutos en cada lado o hasta que estén rosados. La salsa Cóctel es opcional.

PAPAS AL HORNO:

- Frótelas con mantequilla y envuelva en papel de aluminio. Áselas en la parrilla con la tapa abajo por 50 minutos.
- Voltéelas luego de 25 minutos (no es necesario hacerlo si están ahumadas).
- Pinche para chequear su cocción.

MAZORCAS DULCES EN HOJAS:

- Quíteles el exceso de barbas de las puntas y remoje en agua fría salada una hora antes de asarlas.
- Ase por 25 minutos - volteándolas varias veces.

RECETAS DE AHUMADOS

Calor Indirecto

TIEMPOS DE COCCIÓN



Alimento	Peso	Ahumado en Bandeja de Agua	Parrilla Lateral	Temperatura en Termómetro de Carne
Asado de Carne	3-4 Lb.	1-1,5 horas	4-5 horas	140°F poco cocido
Asado de Ovejo, Venado	5-7 Lb.	1 1/2 a 2 1/2 horas	5-6 horas	160°F término medio
Grandes pedazos de caza	7-9 Lb.	2 1/2 a 3 1/2 horas	7-10 horas	170°F bien cocido
Asado de Cerdo	3-4 Lb. 5-8 Lb.	1 1/2 a 2 1/2 horas 2 1/2 a 3 horas	5-6 horas 7-8 horas	170°F 170°F
Costillas de Res/Cerdo	Parrilla completa	1 1/2 a 2 horas	4-6 horas	La carne se separa del hueso
Chuletas de Cerdo	Parrilla completa	3/4 a 1 1/4 horas	4-6 horas	La carne se separa del hueso
Chorizos y embutidos	Parrilla completa	2 a 2 1/2 horas	4-5 horas	170°F para embutidos frescos
Pernil, Fresco	10 Lb.	3 a 4 horas	7-8 horas	170°F
Pernil, Cocido	Todos los tamaños	1 1/2 a 2 horas	3-4 horas	130°F
Pollo, cortado o separado	1-4 bandejas	1 a 1 1/2 horas	4-5 horas	180°F/el muslo se mueve fácilmente en la unión
Pollo, completo	1-4 bandejas	1 1/4 a 1 1/2 horas	5-6 horas	180°F/el muslo se mueve fácilmente en la unión
Pavo, sin relleno	8-12 Lb.	1 1/2 a 2 1/2 horas	7-8 horas	180°F/el muslo se mueve fácilmente en la unión
Pescado, pequeño y completo	Parrilla completa	1/2 a 3/4 hora	2-3 horas	Se separa con el tenedor
Pescados, filetes, milanesas	Parrilla completa	1/4 a 1/2 hora	1-3 horas	Se separa con el tenedor
Pato	3-5 Lb.	1 a 1 3/4 hora	5-6 horas	180°F/el muslo se mueve fácilmente en la unión
Pequeñas aves	Parrilla Completa	3/4 a 1 hora	4-5 horas	180°F/el muslo se mueve fácilmente en la unión

Bandeja no incluida. Se recomienda una bandeja para pan desechable. AHUMADO POR COCCIÓN LENTA (Ver el cuadro de arriba)

1. Coloque la bandeja de goteo/recolectora de agua en la parte izquierda de la rejilla de combustible.
 2. Coloque carbón caliente en la parte derecha (extremo de la compuerta) de la rejilla de calefacción. El accesorio de la cesta para carbón ayuda a mantener los carbones en un solo lugar.
 3. Coloque la carne sobre la bandeja recolectora de agua.
 4. Coloque la rejilla de combustible en posición baja.
 5. Cierre la tapa y controle el calor con las compuertas y la rejilla ajustable.
- Puede sellar ciertas comidas antes de ahumarlas colocando la carne directamente sobre los carbones con la tapa abierta y LAS REJILLAS DE COMBUSTIBLE en posición baja (caliente) por algunos minutos. Añada virutas de madera con sabor impregnado al fuego y añada una parte de marinada, cerveza o vino a tres partes de agua a la bandeja de goteo.
 - ABRIR LA CÁMARA DE AHUMADO EXTENDERÁ EL TIEMPO DE COCCIÓN. Cocinar usando un TERMÓMETRO DE CARNE asegura que la comida esté totalmente cocida. Insértelo en la parte más gruesa sin tocar el hueso y permita que pasen cinco minutos para que haga el registro. La temperatura interna para las aves debe oscilar entre los 170°F a 180°F (76°C a 82°C) o cuando el muslo de pierna se mueva fácilmente en la articulación. La carne debe ser cocinada hasta temperatura interna de 140°F (60°C) para término medio, 160°F (71°C) para término tres cuartos y 170°F (76°C) para bien cocido. Revise el nivel de agua cuando cocine por más de 4 horas o cuando no pueda escuchar el agua hervir. Añada agua moviendo la carne y vierta agua a través de la parrilla dentro de la BANDEJA DE AGUA.
 - SI EL HUMO ES BLANCO, EL FUEGO ES EL CORRECTO. SI EL HUMO ES NEGRO, AÑADA ALGO DE CERVEZA.

PAVO AHUMADO:

- Vacíe la cavidad, enjuague y seque con toalla de papel.
- Pliegue las puntas de las alas dentro de la espalda y ate los muslos de pierna entre sí.
- Colóquelos directamente en el centro de la parrilla de cocción directamente sobre la bandeja de goteo.
- Ahúme cada onza por doce minutos. Permita algunos minutos extra por onza si están rellenos para permitir que se expanda.
- Use el termómetro de carne para mejores resultados (190°F o 87°C en la parte interna)

JAMÓN COCIDO AHUMADO:

Usted puede ahumar jamón enlatado cocido o ahumar y curar jamón entero o una porción.

Glaseado

1 taza de azúcar morena clara, bien compacta
1/2 taza de jugo de naranja
1/2 taza de miel

- Combine azúcar, jugo y miel. Deje que se glasee por lo menos por 4 horas.
- Coloque la rejilla de combustible en la posición más baja y una bandeja de goteo bajo la carne.
- Remueva la corteza y saque la grasa diagonalmente para darle un efecto de diamante.
- Inserte un clavito en el centro de cada diamante.
- Coloque el jamón con la grasa hacia arriba en el centro de la rejilla de combustible directamente sobre la bandeja de goteo. Cierre la tapa.
- Se sugieren 9 minutos por onza para jamones bien cocidos. Para jamones ahumados o curados, que no



estén totalmente cocidos, deberían ser cocidos a una temperatura interna de 160°F (71°C).

- Vierta glaseado de jamón 3 o 4 veces durante los últimos 30 minutos del tiempo de cocción.
- Aderece con rodajas de piña 15 minutos antes de terminar el tiempo de cocción.

PERROS CALIENTES AHUMADOS RELLENOS:

- Corte los perros calientes diagonalmente, a 1/4 de pulgada (0,6 cm) en cada punta.
- Rellene los perros calientes con queso y salsa de pepinillos y envuelva en tocineta.
- Colóquelos en la rejilla de cocción sobre la bandeja de goteo y ahúme por 15 a 20 minutos o hasta que la tocineta esté crujiente.

PIEZAS Y MITADES DE POLLO AHUMADAS

- Enjuague las piezas en agua fría y seque con toalla de papel.
- Cepille cada pieza con aceite vegetal y sazone al gusto con sal y pimienta.
- Dore las piezas de pollo directamente sobre los carbones con la tapa abierta y la rejilla en posición alta o media por algunos minutos.
- Luego coloque las piezas sobre la rejilla de cocción directamente sobre la bandeja de goteo.
- Con la rejilla en la posición baja con la tapa abajo por 55 a 60 minutos o hasta que esté cocido. No use aceite vegetal o sal y pimienta si usan la marinada.

VERSIÓN AHUMADA:

Marinada para Venado:

Una taza de vinagre Balsámico o de vino
1 una taza de aceite de oliva
2 onzas de Salsa Inglesa (Worcestershire)
1/2 onzas Tabasco
2 cucharaditas de Sazonador
1-2 jalapeños cortados
3 onzas de salsa de soya

Marinada de Tocineta

2 onzas de vinagre de vino
2 onzas Salsa Inglesa (Worcestershire)
4 toques de Tabasco

- Coloque muslos de venado en un contenedor o “bolsa grande” y la marinada por 2 a 4 días, volteándolos a diario. Marine la tocineta de un día a otro en su salsa marinada.
- Saque el asado del refrigerador por lo menos una hora antes de llevarlo a cocción.
- Sazone generosamente con sal sazónada y pimienta molida gruesa.
- Envuelva medio kilogramo de tocineta sobre la superficie del asado y ahúme por 20/25 minutos por libra o hasta que se ablande. No las cocine de más.

CAMARONES Y CANGREJOS AHUMADOS:

- Mezcle en una bandeja de aluminio 1/2 taza de mantequilla, dos dientes de ajo triturado, Tabasco, pimentón verde picado, 1 cda. de cebolla molida, sal y jugos de un limón.
- Añada el camarón y/o el cangrejo y ahúme por 45 minutos.

VEGETALES AHUMADOS:

- Nabos, papas, zanahorias, quingombó, champiñones, cebollas peladas, calabacín, calabaza, etc.
- Coloque en bandeja y cubra con agua y cocine por varias horas hasta que se la carne esté lista.
O coloque vegetales en la parrilla y ahúme por 50 minutos, envuelto o no en papel de aluminio.

PESCADO AHUMADO:

- Marine en salmuera (1/4 de taza de sal disuelta en cuatro tazas de agua) o marine el pescado en una taza de vino blanco, 1 taza de salsa de soya mezclada con 1 taza de jugo de limón.
- Marine en el refrigerador desde la noche anterior en un plato cubierto.
- Permita que circule el aire durante 20 minutos antes de colocarlo en la plancha cubierta con grasa.
- Ahúme por 25 minutos.

COSTILLAS TRASERAS AHUMADAS:

- Elimine la capa dura de la piel en la parte trasera.
- Frote todas las superficies con el sazonador.
- Coloque las costillas en el centro de la rejilla y sobre la bandeja y ahúma por aproximadamente hora y media o hasta que la carne se separe del hueso.
- Bañe con salsa barbecue durante los últimos treinta minutos.

MARINADA PARA POLLO:

Combine

1/2 taza de salsa de soya
1/4 taza de aceite vegetal
1/4 taza de vinagre de vino tinto
1 cucharita de orégano
1/2 cucharadita de albahaca
1/2 cucharadita de ajo en polvo
1/4 cucharadita de pimienta

- Agréguelo sobre piezas de pollo en un plato que no sea de metal.
- Cubra y refrigere por una noche, volteando ocasionalmente. Utilice la marinada para bañar al pollo mientras se cocina.

MARINADA PARA CARNES: (Para bistecs, hamburguesas y medallones)

Combine

¼ taza de salsa de soya
2 cebollas grandes finamente picadas
2 dientes de ajo (en mitades)

- Combine los ingredientes en una licuadora, cubra y procese en la velocidad rápida por un minuto o hasta que la mezcla este suave.
- Mezcle ¼ de taza de salsa gravy (Kitchen Bouquet y Gravy Master) y 2 cucharaditas de sazonador Beau Monde (o sustituya por 1 cucharadita de MSG y una cucharadita de sal sazonada).



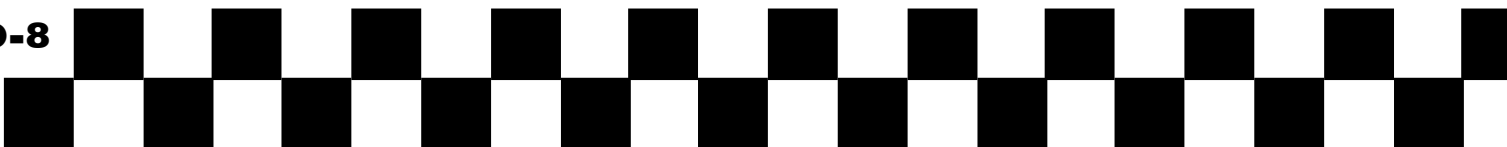
- Permita que la carne se marine a una temperatura ambiente por 2 horas o refrigere hasta 24 horas en un plato cubierto.
- Espere que llegue a temperatura ambiente antes de cocinar.

MARINADA PARA BROCHETAS:

Mezcle

- 1 taza de salsa de soya
- ½ taza de azúcar morena
- ½ taza de vinagre
- ½ taza de jugo de piña
- 2 cucharaditas de sal
- ½ cucharadita de ajo en polvo

- Mezcle todos los ingredientes en una olla y lleve a ebullición.
- Marine la ternera en la mezcla por lo menos 4 horas.



ACCESORIOS

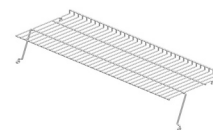
Cubierta a la Medida

Resistente al Clima
Protege el Acabado La Cubierta
se Adapta al Estante Lateral o la
Parrillera Lateral



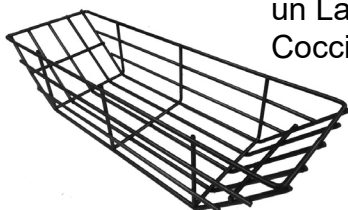
Rejilla de Calentamiento

Aumenta el Área de la
Parrillera y Mantiene la
Comida Caliente



Cesta para Carbón

Mantiene los Carbones a
un Lado para Ahumar
Cocción Indirecta



Asador

Excelente para Asar Fácilmente
Puede Ser Utilizada con Cualquier Parrillera



Delantal

Lavable a Máquina
Dos Bolsillos Delanteros
Tiras Ajustables

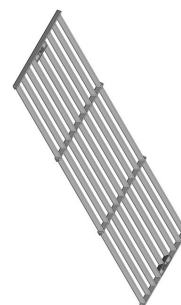


Encendedor de Rápida Liberación para Chimeneas

Fácil encendido con liberación
de gatillo patentada
Mango de ABS para prote-
gerle del calor
Acero galvanizado
Permite encender la parrillera
a carbón rápida y fácilmente

Rejillas de Hierro Fundido

Resistente
Auténtico Sabor de BBQ
No Se Deforma



**Para obtener información de precios o
para ordenar accesorios, visite:**

www.CharGriller.com



LLAME AL: 912-638-4724



**P.O. Box 30864
Sea Island, GA 31561
912-638-4724
www.CharGriller.com
Service@CharGriller.com**

