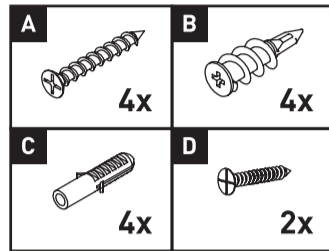
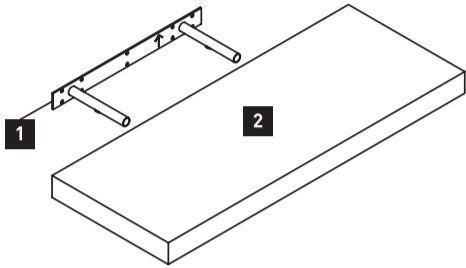


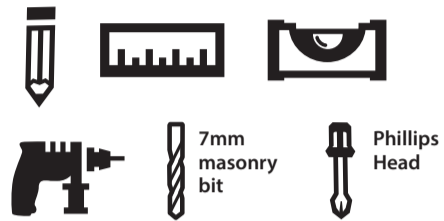


Floating Shelf Installation Instructions

Hardware Supplied



Tools Required



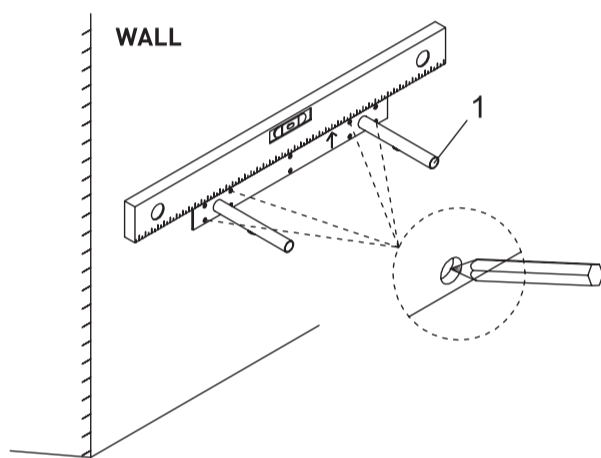
Capacity

Weight load capacity can vary based on the type of wall you're affixing the shelf to. As a guideline please see below:

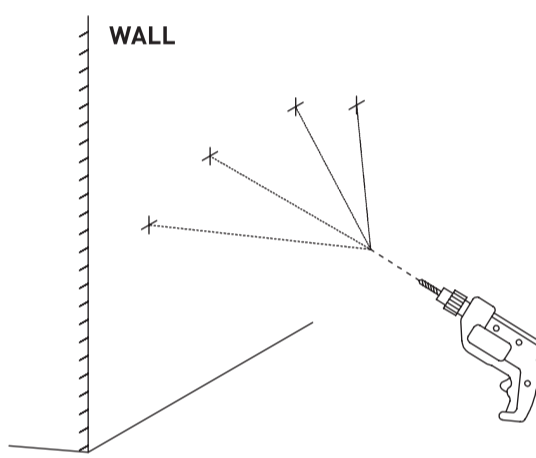


* LOAD EVENLY DISTRIBUTED

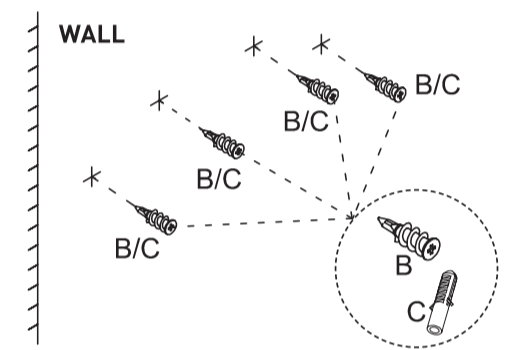
Step 1



Step 2

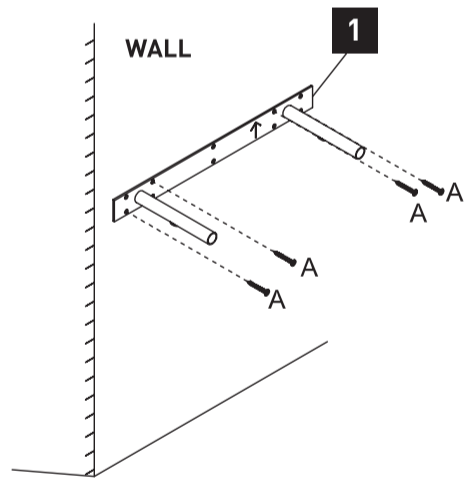


Step 3

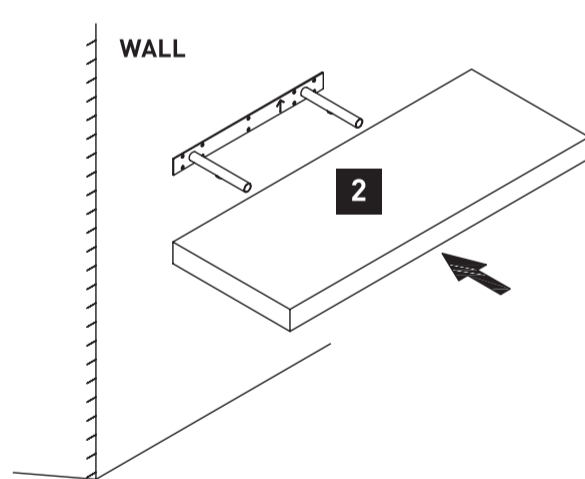


Please use different plastic expansion bolts for different walls.

Step 4



Step 5



Step 6

