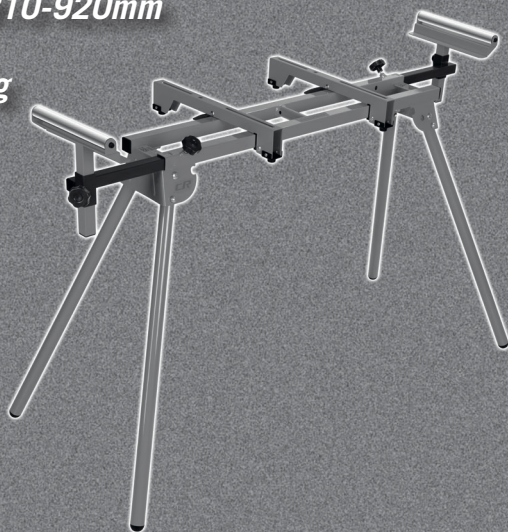


UNIVERSAL MITRE SAW STAND

- *Suitable for mitre saws with up to 380mm wide base mounting points*
- *Folding legs for easy transport & storage*
- *Extendable supports: 940-1950mm*
- *Adjustable roller height: 810-920mm*
- *Roller width: 250mm*
- *Max. load capacity: 150kg*



INSTRUCTION MANUAL



WARNING: Read all safety warnings and all instructions. Failure to follow the warnings and instructions may result in electric shock, fire and/or serious injury. Save all warnings and instructions for future reference.

SPECIFICATIONS

Folded Size: 940 x 545 x 810mm

Length: 940mm (folded)
1950mm (extended)

Height: 810mm (folded)
920mm (extended)

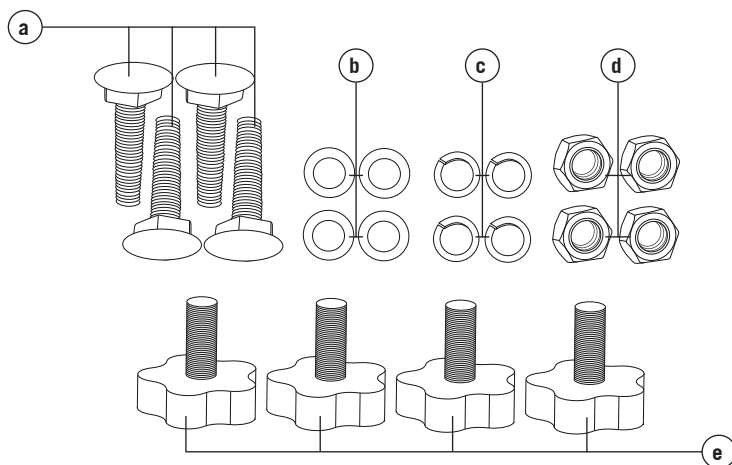
Loading Capacity: 150kg

Weight: 9.65kg

KNOW YOUR PRODUCT

Fasteners

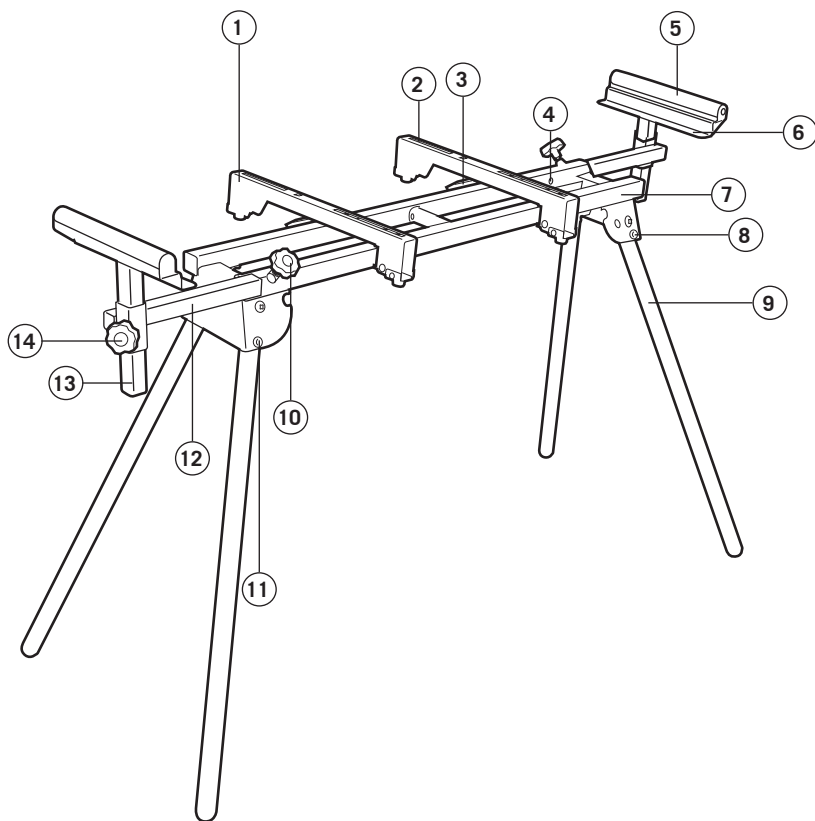
- a. Bolts x 4
- b. Washers x 4
- c. Spring Washers x 4
- d. Hex Nuts x 4
- e. Fastening Knobs x 4



KNOW YOUR PRODUCT

Mitre Saw Stand

1. Mounting Bar
2. Fastening Slot
3. Mounting Bar Handle
4. Extension Arm Locking Pin
5. Roller
6. Material Support Shelf
7. Frame
8. Upper Leg Locking Pin
9. Stand Leg
10. Extension Arm Fastening Knob
11. Lower Leg Locking Pin
12. Extension Arm
13. Roller Arm
14. Roller Arm Fastening Knob



INTRODUCTION

Congratulations on purchasing a Crafright Mitre Saw Stand.
This stand serves as a workstation for holding mitre saws.



WARNING! This stand is intended for use with mitre saws only. Do not use as a step ladder, stepping stool, storage rack, etc. Crafright will not be liable for damage or injury caused by improper use of this unit.

CONTENTS

SPECIFICATIONS	Page 02
KNOW YOUR PRODUCT	Page 02
INTRODUCTION	Page 04
SAFETY INSTRUCTIONS	Page 05
ASSEMBLY	Page 07
OPERATION	Page 10
MAINTENANCE	Page 11
DESCRIPTION OF SYMBOLS	Page 11
CARING FOR THE ENVIRONMENT	Page 12
CONTENTS	Page 12

GENERAL SAFETY WARNINGS



WARNING! Read all safety warnings and instructions. Failure to follow all instructions listed below may result in electric shock, fire and/or serious injury. The term 'Power Tool' in all of the warnings listed below refers to your mains operated (corded) power tool or battery operated (cordless) power tool.

1. Work Area Safety

- a. **Keep work area clean and well lit.** Cluttered or dark areas invite accidents.
- b. **Do not operate power tools in explosive atmospheres, such as in the presence of flammable liquids, gases or dust.** Power tools create sparks which may ignite the dust or fumes.
- c. **Keep children and bystanders away while operating a power tool.** Distractions can cause you to lose control.

2. Personal safety

- a. **Stay alert, watch what you are doing and use common sense when operating a power tool. Do not use a power tool while you are tired or under the influence of drugs, alcohol or medication.** A moment of inattention while operating power tools may result in serious personal injury.
- b. **Use personal protective equipment. Always wear eye protection.** Protective equipment such as dust mask, non-skid safety shoes, hard hat, or hearing protection used for appropriate conditions will reduce personal injuries.
- c. **Do not overreach. Keep proper footing and balance at all times.** This enables better control of the power tool in unexpected situations.
- f. **Dress properly. Do not wear loose clothing or jewellery. Keep your hair, clothing and gloves away from moving parts.** Loose clothes, jewellery or long hair can be caught in moving parts.
- g. **If devices are provided for the connection of dust extraction and collection facilities, ensure these are connected and properly used.** Use of dust collection can reduce dust-related hazards.
- h. **Do not let familiarity gained from frequent use of tools allow you to become complacent and ignore tool safety principles.** A careless action can cause severe injury within a fraction of a second.

MITRE SAW STAND SAFETY WARNINGS

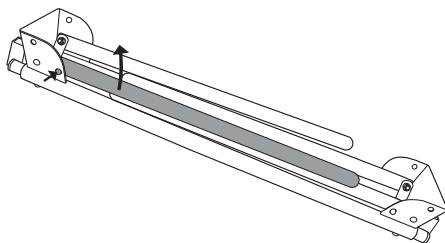
This appliance is not intended for use by young or infirm persons unless supervised by a responsible person to ensure that they can use the appliance safely. Young children should be supervised to ensure that they do not play with the appliance.

- Always ensure the mitre saw base is properly secured to the stand prior to operation.
- Always ensure the stand legs have been locked into place prior to operation.
- Take care when moving the stand especially when a mitre saw is mounted.
- Do not use the stand for any other purpose than what it is intended for.
- Do not use the stand as a stepping stool or ladder.
- Make sure all moving parts are free from interference.
- Keep hands clear of all moving parts.
- Ensure the Mitre Saw Stand is set up on firm ground in a stable manner.
- Use the Mitre Saw Stand in a dry place protected from the rain.
- Be aware of overbalancing. When a large piece is cut from one end of a job, the remaining piece may be heavy enough to over-balance the Mitre Saw Stand. Always ensure the workpiece is well supported.
- When transporting the Mitre Saw Stand in a vehicle, always tie it down to prevent movement and possible damage.
- Check to make sure that all fixing screws and knobs are tight and all legs are locked into position before operation.
- The Mitre Saw Stand must be used only for its prescribed purpose. Any use other than those mentioned in these instructions will be considered a case of misuse.
- Craftright shall not be liable for any damage or injury resulting from such cases of misuse.
- Craftright shall not be liable for any changes made to the Mitre Saw Stand nor for any damage resulting from such changes.

ASSEMBLY

Unfolding The Stand

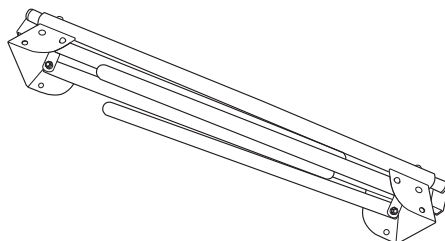
1. Lay the mitre saw stand on the floor with the folded legs facing up.
2. Depress the leg locking button and unfold the 2 upper legs until the locking button clicks into place.
3. Repeat the same procedure for the other 2 legs.
4. Lift the stand and flip it into the upright position.
5. Check that the stand is stable and all of the leg locking buttons have engaged properly.



Folding The Stand

1 pair of legs on the stand must fold in first for the stand to fold flat. The legs have not folded into place if the leg locking button does not pop into place. The legs should not swing about when the stand is picked up if the legs have locked into position.

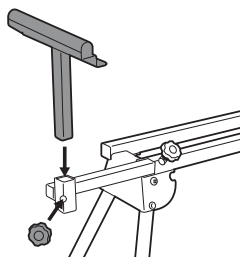
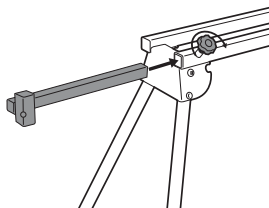
1. Turn the mitre saw upside down on the floor with the legs sticking up.
2. Depress the leg locking buttons on the lower pair of legs and fold them in.
3. Repeat the same procedure on the other pair of legs.



ASSEMBLY

Attaching The Extension Arms

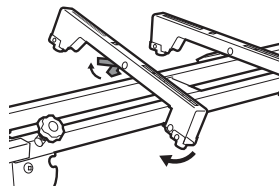
1. Slide the extension arms into the frame.
2. The locking pin on the extension arms should be facing inwards towards the centreline of the stand. You will need to depress this twice (once when the locking pin reaches the frame and again when it pops through the locating hole further in).
3. Continue sliding the extension arm into the frame until the desired length is reached.
4. Insert a fastening knob into the hole on the frame turn it clockwise to secure the extension arm in place.
5. Insert a roller arm into the collar on the extension arm. The material support shelf should be facing inwards towards the centre of the stand.
6. Insert a fastening knob into the bracket and turn it clockwise to tighten the roller arm into place.
7. Repeat the same procedure with the opposite extension arm.



ASSEMBLY

Attaching The Mitre Saw Mounts

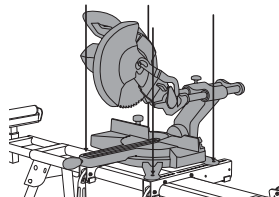
1. Depress the mounting bar handles and hook the opposite end of the mount onto the frame of the stand.
2. Lower the handles onto the frame and release them to lock the mounting bar into place.
3. Repeat the same procedure with the other mounting bar.



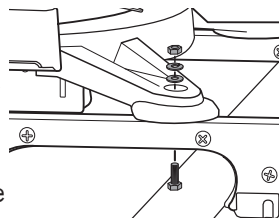
WARNING! Only use a mitre saw that has 4 fixing holes (1 in each corner of the base) on this stand. If the mitre saw does not meet this requirement, do not use it with this stand as the mitre saw cannot be properly secured. Failure to follow this direction may result in damage to property and/or personal injury.

Attaching A Mitre Saw

1. Adjust the mounting bars to roughly the width of the mitre saw base.
2. Place the mitre saw on the mounting bars and line up the holes in the mitre saw base with the slots on the mounting bars.



3. Feed a bolt through the bottom of the mounting bar then through the base of the mitre saw.
4. Slide a washer and then a spring washer onto the bolt and fasten it with a hex nut.
5. Repeat steps 3 and 4 for the other 3 holes on the mitre saw base.



WARNING! During operation and before starting a new job, ensure that all screws and nuts are tightened correctly and securely.

OPERATION

Adjusting The Extension Arms

1. Turn the fastening knob on the frame counter-clockwise to loosen it.
2. Pull the extension arm out to the desired length.

Note: The maximum extension length is reached when the arm locking pin clicks into place. To shorten the extension arm again, depress this pin and push the extension arm back into the frame.

3. Turn the fastening knob clockwise to tighten it and secure the extension arm into place.

Adjusting The Roller Height

1. Turn the fastening knob on the collar of the extension arm counter-clockwise to loosen it.
2. Raise or lower the roller to the desired height.
3. Turn the fastening knob clockwise to tighten it and secure the roller into place.

Using The Material Support Shelves

The mitre saw stand features material support shelves which allow repetitive cuts to be made quickly and accurately.

1. Adjust the height of the roller arm so that the lip of the material support shelf is in line with the work surface of the mitre saw.
2. Adjust the extension arms to the desired cutting length.
3. Place the end of the workpiece against the material support shelf and commence the cut.

MAINTENANCE

Cleaning

1. Wipe away dirt and dust from the Mitre Saw Stand on a regular basis.

Storage

The Mitre Saw Stand can be easily folded for convenient storage and transportation.

Follow the leg assembly instructions in reverse to fold up the Mitre Saw Stand.

NOTE: When transporting the Mitre Saw Stand in a vehicle, always tie it down to prevent movement and possible damage.

NOTE: Crafright will not be responsible for any damage or injuries caused by the repair of the tool by an unauthorised person or by mishandling of the tool.

DESCRIPTION OF SYMBOLS

	Read instruction manual		Wear personal protective equipment
---	-------------------------	---	------------------------------------

CARING FOR THE ENVIRONMENT



Power tools that are no longer usable should not be disposed of with household waste but in an environmentally friendly way. Please recycle where facilities exist. Check with your local council authority for recycling advice.



Recycling packaging reduces the need for landfill and raw materials. Reuse of recycled material decreases pollution in the environment. Please recycle packaging where facilities exist. Check with your local council authority for recycling advice.

CONTENTS

1 x Universal Mitre Saw Stand	4 x Bolts
2 x Extension Arms	4 x Washers
2 x Rollers	4 x Spring Washers
4 x Handle Fastening Knobs	4 x Hex Nuts
2 x Mounting Bars	1 x Instruction Manual

Distributed by:
Ozito Industries Pty Ltd
AUSTRALIA (Head Office)
1-23 Letcon Drive, Bangholme Victoria, Australia, 3175
Telephone: 1800 069 486