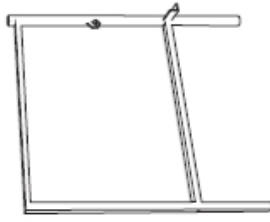
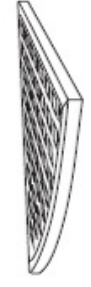

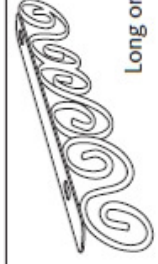







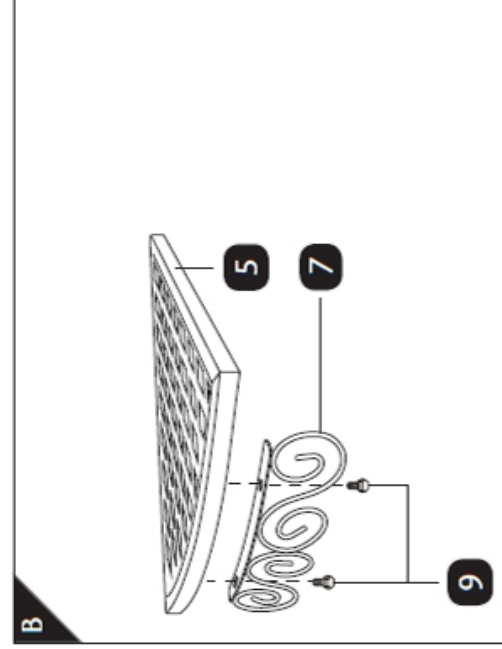


3-tier Spiral Plant Stand
Item No. 0262340

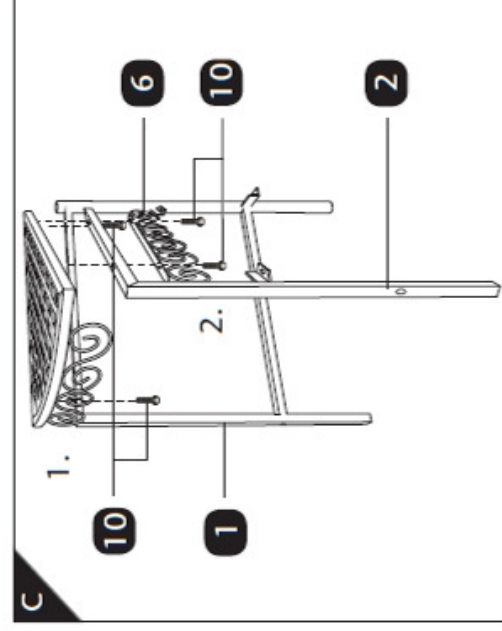
Assembly Instructions

A				Parts List			
1		Main frame	1	5		Shelf	3
2		Large L frame	1	6		Long ornamental fringe	3
3		Medium L frame	1	7		Short ornamental fringe	3
4		Small L frame	1	8		Curved brace	2
				9		Bolt	M6 x 8
				10		Bolt	M6 x 25
				11		Spanner	1

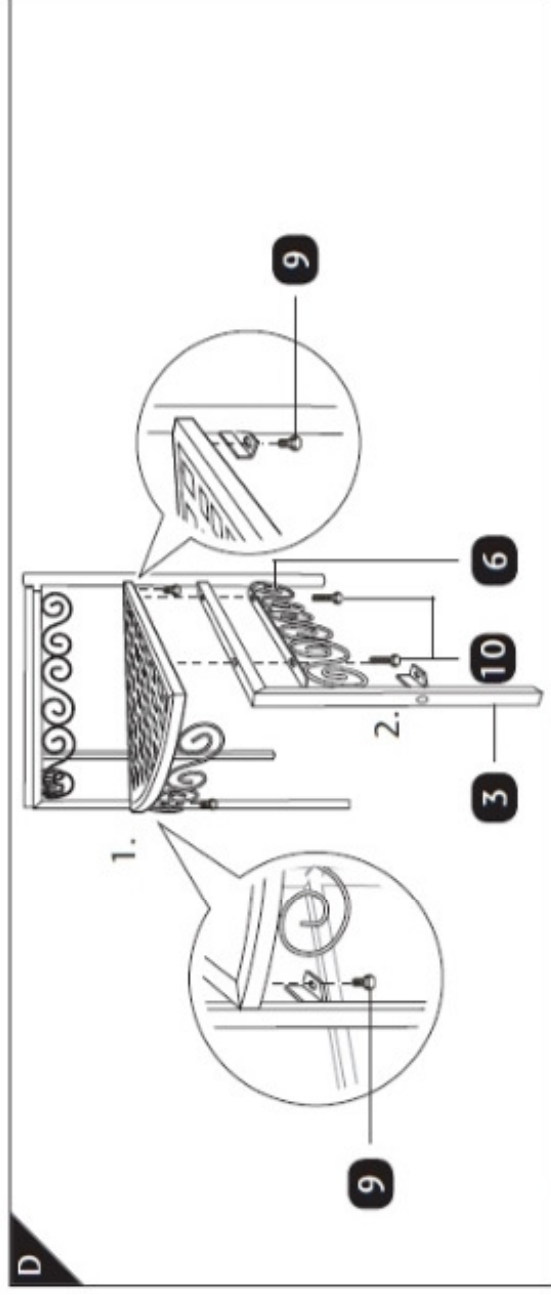
Assembling the flower steps



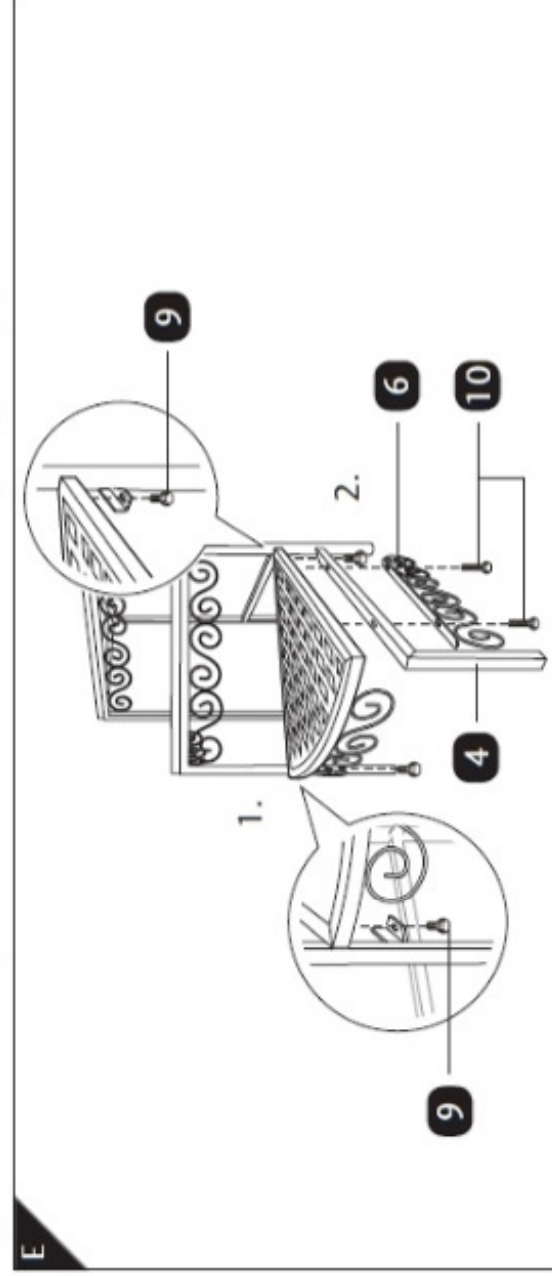
1. Lay out one shelf **5** and one short ornamental fringe **7**. Align the screw holes on the curved side of the shelf with the short ornamental fringe. Loosely fasten the ornamental fringe to the shelf with two M6 x 8mm screws **9** (see Fig. B). Repeat for the remaining shelves and short ornamental fringes.



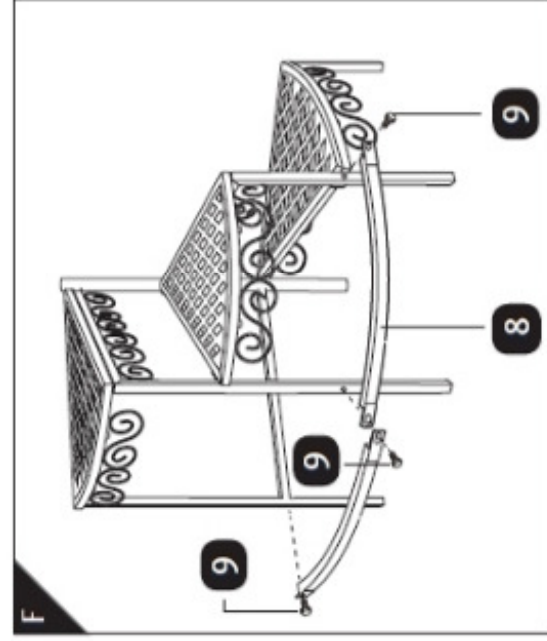
2. Lay out the main frame **1** and one of the assembled shelf. Attach the main frame to the left side of the shelf. Loosely secure them with two M6 x 25 mm screws **10** (see step 1 in Fig. C).
3. Lay out the large L frame **2** and a long ornamental fringe **6**. Align the screw holes on the two parts with those on the right side of the shelf. Loosely secure them with two M6 x 2.5 mm screws (see step 2 in Fig. C).



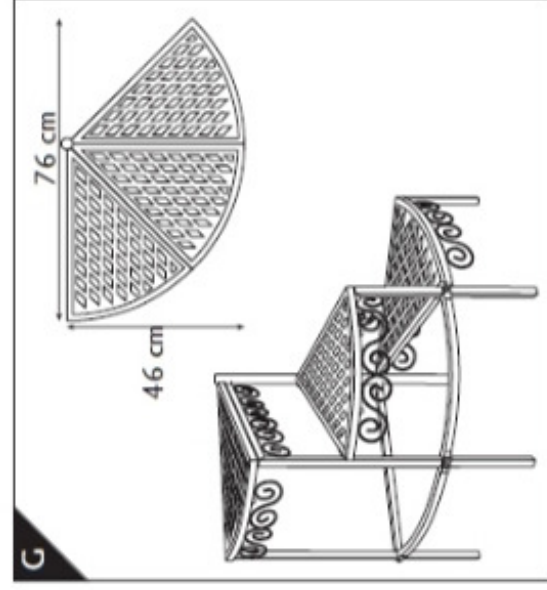
4. Attach another shelf (with short ornamental fringe) to the upper supporting plates of the frames, and loosely fasten them with two M6 x 8 mm screws (see step 1 in Fig. D).
5. Lay out the medium L frame **3** and a long ornamental fringe. Align the screw holes on the two parts with those on the right side of the shelf. Loosely secure them with two M6 x 2.5 mm screws (see step 2 in Fig. D).



6. Attach the remaining shelf (with short ornamental fringe) to the lower supporting plates of the frames, and loosely fasten them with two M6 x 8 mm screws **9** (see Fig. E).
7. Lay out the small L frame **4** and a long ornamental fringe. Align the screw holes on the two parts with those on the right side of the shelf. Loosely secure them with two M6 x 2.5 mm **10** screws (see Fig. E).



8. Attach the curved braces **8** to the frames **9** and align the screw holes. Make sure the ends of both curved braces with smaller screw holes are at the sides, while the other ends with bigger screw holes are overlapping in the middle. Secure the curved braces with three M6 x 8 mm screws **9** (see Fig. F).



9. Check the positions of all parts. If the positions are satisfactory, tighten all screws with spanner.

The plant stand is now ready for use (see Fig. G).